



croma
locksmiths

EVA Catalogue



System characteristics

EVVA offers numerous, proven, conventional locking systems that were developed according to the pin tumbler or locking pin principle. These are restricted, patented or trademark protected and are suitable for a very broad range of applications.

Systems

- ▶ The systems are available in 2 different designs (compact or modular).

Features

- ▶ 5 or 6 tumblers
- ▶ For master key systems and keyed to differ
- ▶ Key design
- ▶ Product range
- ▶ Applications
- ▶ Security levels
- ▶ Attack resistance

Key copying protection

- ▶ Organisational protection through a legitimating procedure for key orders
- ▶ Legal protection through patents and other legal precautions
- ▶ Medium technical key protection

Cylinder security

- ▶ Depending on the scope of application, locking cylinders can be equipped with various additional security features

The illustrations in this section are taken from various different systems and have only symbolic character.

Length deviations of 0.5 mm per cylinder side possible.



Table of Contents

System overview	2
Keys	4
Double cylinders	8
Thumbturn cylinders	20
Half cylinders	26
Padlocks	30
Cam locks and switch cylinders	38
Cabinet cylinders	47
Rim cylinders	59
Portal cylinders	64
EMZY	66
Cam types	67
Accessories	69

System Overview

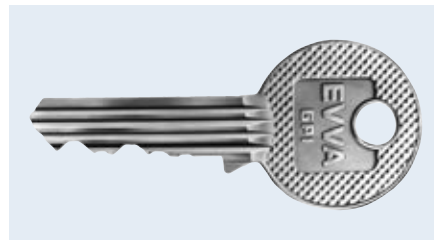
OP – Open Profile

- ▶ 5 or 6 pin tumbler system (compact design)
- ▶ Suited for keyed to differ and keyed alike



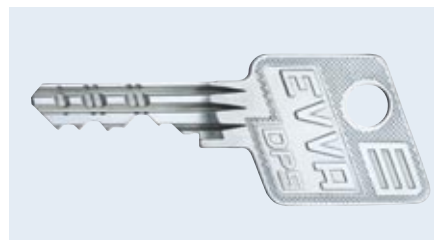
GPI – Ground Profile Intergrated

- ▶ 5 or 6 pin tumbler system (compact design)
huge variety of length profiles
- ▶ Suited for keyed to differ, keyed alike, Master Key Systems or Grand Master Key Systems



DPS – Double Profile System

- ▶ 5 or 6 pin tumbler system (compact design)
- ▶ 5 or 6 slider system (modular design)
- ▶ Different length profiles in combination with side bar technology
- ▶ For keyed to differ, keyed alike, Master Key Systems or Grand Master Key Systems and big Grand Master Key Systems
- ▶ Patented
- ▶ Standard picking and drilling protection
- ▶ Security rating according to EN 1303:2005 (key related security grade 6, attack resistance grade 2)



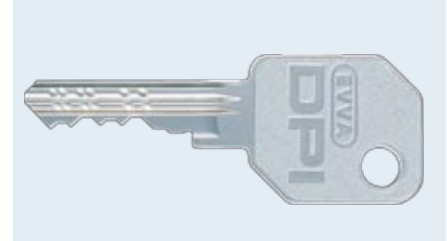
DPX – Three (Tripple) Profile System

- ▶ 5 or 6 pin tumbler system (compact design)
- ▶ Different length profiles in combination with duplex side bar technology
- ▶ For keyed to differ, keyed alike, Master Key Systems or Grand Master Key Systems and big Grand Master Key Systems
- ▶ Patented
- ▶ Standard picking and drilling protection
- ▶ Security rating according to EN 1303:2005 (key related security grade 6, attack resistance grade 2)



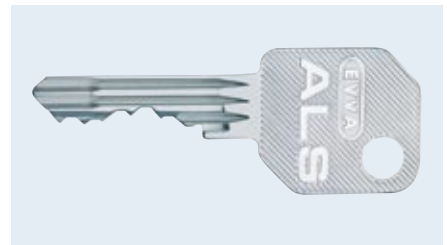
DPI – Double Profile Integrated

- ▶ 5 or 6 pin tumbler system (compact design)
- ▶ 5 or 6 slider system (modular design)
- ▶ Different length profiles in combination with side bar technology
- ▶ For keyed to differ, keyed alike, Master Key Systems or Grand Master Key Systems and big Grand Master Key Systems
- ▶ Patented
- ▶ Standard picking and drilling protection
- ▶ Security rating according to EN 1303:2005 (key related security grade 6, attack resistance grade 2)



ALS – Adapted Length Profile System

- ▶ 5 or 6 pin tumbler system (compact design)
- ▶ Different length profiles in combination with an additional profile on the key tip
- ▶ For keyed to differ, keyed alike and Master Key Systems
- ▶ Patented
- ▶ Standard picking and drilling protection
- ▶ Security rating according to EN 1303:2005 (key related security grade 6, attack resistance grade 2)



EPS – Extended Profile System

- ▶ 5 or 6 pin tumbler system (compact design)
- ▶ 5 or 6 slider system (modular design)
- ▶ Patented length profile and cross profile for double control in combination with side bar technology
- ▶ For keyed to differ, keyed alike, Master Key Systems or Grand Master Key Systems and big Grand Master Key Systems
- ▶ Patented
- ▶ Standard picking and drilling protection
- ▶ Security rating according to EN 1303:2005 (key related security grade 6, attack resistance grade 2)



DPE – Double Profile System Extended

- ▶ 6 slider system (modular design)
- ▶ Length profile and cross profile with additional 7th locking element
- ▶ For keyed to differ, keyed alike, Master Key Systems or Grand Master Key Systems and big Grand Master Key Systems
- ▶ Patented
- ▶ Standard picking and drilling protection



System/Design	patented	certificate	Compact 5pin	Compact 6pin	Modular 5pin	Modular 6pin
OP	–	–	●	●	–	–
GPI	●	–	●	●	–	–
DPS	●	●	●	●	●	●
DPX	●	●	●	●	–	–
DPI	●	●	●	●	●	●
ALS	●	●	●	●	–	–
EPS	●	●	●	●	●	●
DPE	●	●	–	–	–	●

DPE modular design differs in length from the other modular designs because of the additional 7th locking element

EPS5 Standard Key

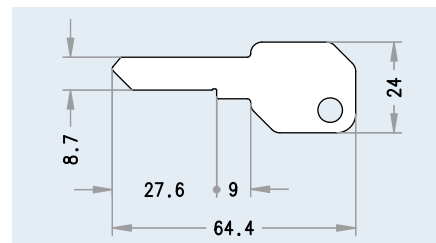


Ordering information

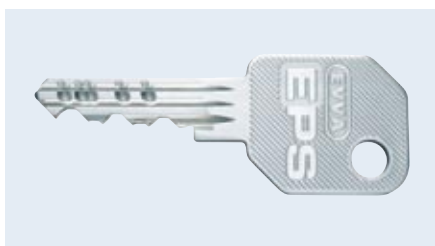
- ▶ SL [system and key number]

Technical data

- ▶ Key made of an extremely durable nickel silver alloy



EPS6 Standard Key

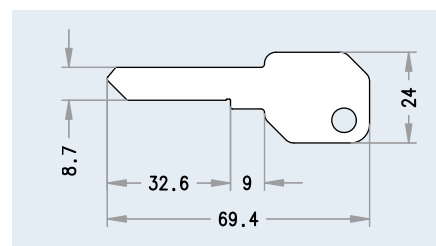


Ordering information

- ▶ SL [system and key number]

Technical data

- ▶ Key made of an extremely durable nickel silver alloy



EPS Key With Plastic Cap

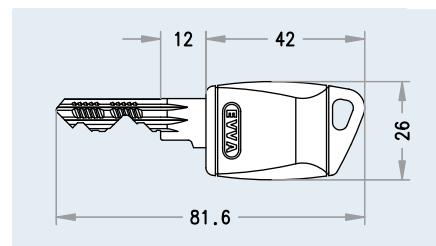


Ordering information

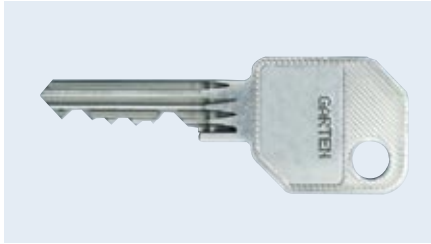
- ▶ SLKA [system and key number]
- ▶ Unless otherwise specified, key has anthracite colour
- ▶ or key upper section in red, blue, green, yellow

Technical data

- ▶ Key made of an extremely durable nickel silver alloy
- ▶ Key cap made of plastic, colour: anthracite
- ▶ Key upper section made of plastic, colour: red, blue, yellow, green



EPS5 Key With Additional Numbering

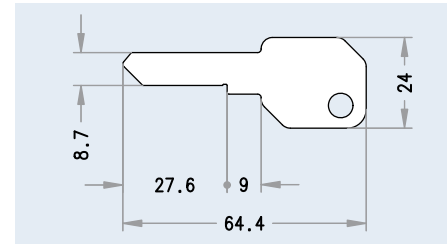


Ordering information

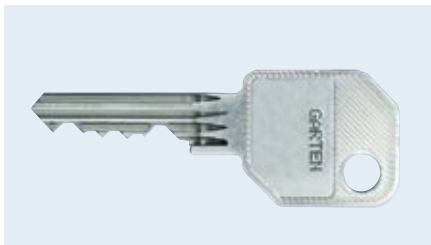
- ▶ SL [system and key number] designation/number as required by customer; up to 18 characters if technically possible (no special characters)

Technical data

- ▶ Customised inscription (in addition to system number and key number), e.g. "garden"
- ▶ Consecutive numbering of keys (keys with identical authorisations receive consecutive number)
- ▶ Key made of an extremely durable nickel silver alloy



EPS6 Key With Additional Numbering

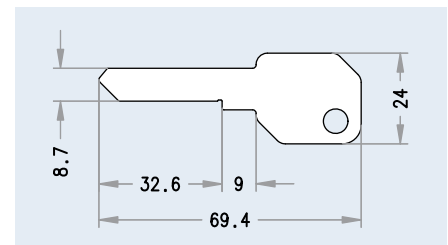


Ordering information

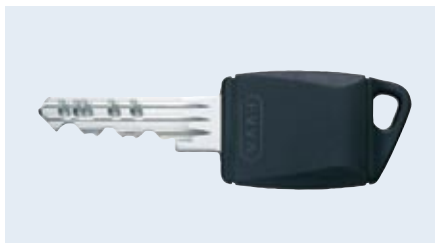
- ▶ SL [system and key number] designation/number as required by customer; up to 18 characters if technically possible (no special characters)

Technical data

- ▶ Customised inscription (in addition to system number and key number), e.g. "garden"
- ▶ Consecutive numbering of keys (keys with identical authorisations receive consecutive number)
- ▶ Key made of an extremely durable nickel silver alloy

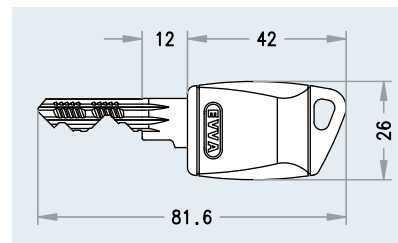


EPS Proximity Combi-key



Technical data

- ▶ Key with integrated electronic identification medium (contactless)
- ▶ Key bow made of durable polycarbonate, colour: anthracite



Ordering information

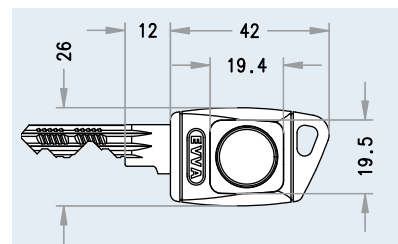
- ▶ SL [system and key number] CCM1KES (Mifare 1k, anthracite)
- ▶ SL [system and key number] CCM4KES (Mifare 4k, anthracite)
- ▶ SL [system and key number] CCD4KES (Desfire 4k, anthracite)
- ▶ SL [system and key number] CCL1KES (Legic 1k, anthracite)
- ▶ Red or yellow cap colour available

EPS iButton Combi-key



Technical data

- ▶ Key with integrated electronic identification medium (touch-sensitive)
- ▶ Key bow made of durable polycarbonate, colour: anthracite



Ordering information

- ▶ SL [system and key number] CEIRWES (iButton R/W 512B)

EPS Combi-key Upgrade Models

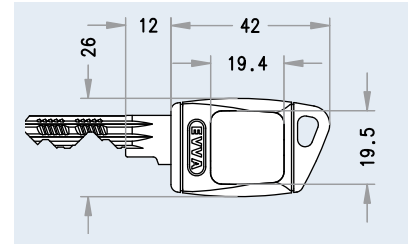


Ordering information

- ▶ SL [system and key number] CE000TS

Technical data

- ▶ Key is designed to integrate electronic upgrade media (contactless and touch-sensitive)
- ▶ Key bow made of durable polycarbonate, without electronics, colour: anthracite
- ▶ Key can be retrofitted with an electronic medium by the customer



MIFARE 1 K/Legic 1 K Combi-key Upgrade Medium



Ordering information

- ▶ CMM1KE0
- ▶ CML1KE0

Technical data

- ▶ Key cover with integrated electronic identification medium for use in Combi-key upgrade models
- ▶ Mifare 1K identification medium
- ▶ Legic 1K identification medium

iButton R/W 512 B Combi-key Upgrade Medium



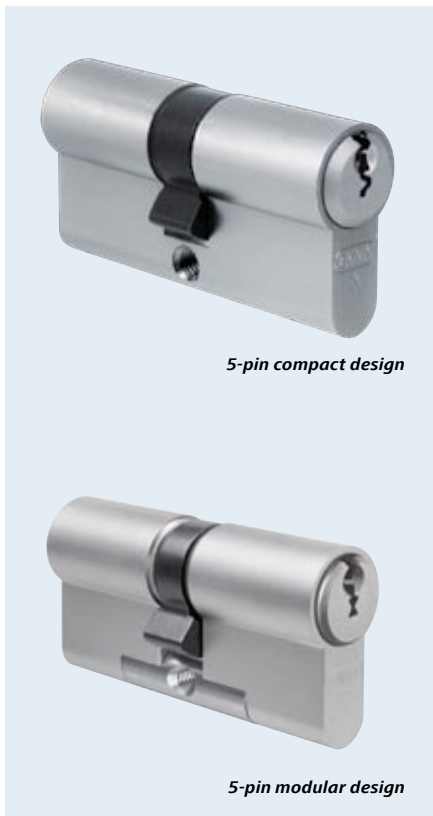
Ordering information

- ▶ CMIRWE0

Technical data

- ▶ Key cover with integrated electronic identification medium for use in Combi-key upgrade models
- ▶ iButton R/W 512B identification medium

DZ Double Cylinder



5-pin compact design

5-pin modular design

Ordering information

- ▶ DZ cylinder length A/B, [M = modular], [finish], [security and usage options]
- ▶ e.g. DZ 31/41, M, Ni cylinder 31/41, modular design, nickel finish

Applications and usage

- ▶ For mortise locks in accordance with DIN or ÖNORM
- ▶ For mortise locks in accordance with European technical standards
- ▶ For mortise locks with profile cylinder hole

Functional characteristics

- ▶ Lockable on both sides with key
- ▶ Cam rotation: 360 degrees
- ▶ Cam removal position: 30 degrees (from the short side)

Technical data

- ▶ Cylinder body base material: brass
- ▶ Cylinder plug base material: brass
- ▶ Cam home position: 30 degrees
- ▶ Cam width: 9.3 mm

Scope of supply

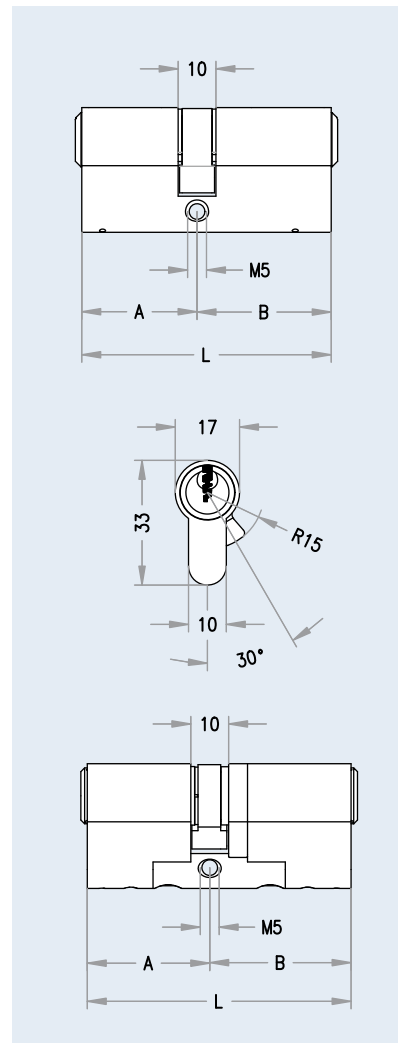
Locking cylinder with fixing screw

Installation & operation

- ▶ Easy cylinder installation in a prepared, empty cylinder hole
- ▶ Cylinder projecting length may not exceed 3 mm for security-relevant doors
- ▶ Cylinder fixed through a M5 fastening hole

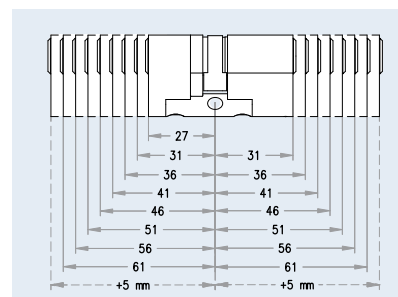
Finishes

Finishes	Abbreviations	Standard	Surcharge
Satin brass	BR	●	
Satin nickel	NI	●	
Polished nickel	PN		○
Satin chrome	CR		○
Polished chrome	PC		○
Black	BL		○
Brown	BW		○
Polished brass	PB		○
PVD	PVD		○

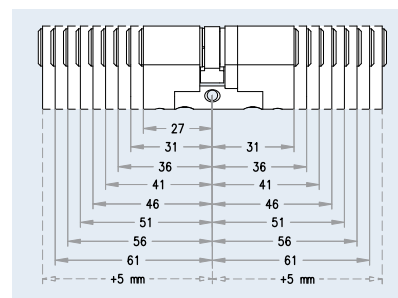


Cylinder lengths

5-pin compact design



5-pin modular design



Cylinder length 27/31 not possible!

DZ Double Cylinder



6-pin compact design

6-pin modular design

Ordering information

- ▶ DZ cylinder length A/B, [M = modular], [finish], [security and usage options]
- ▶ e.g. DZ 31/41, M, Ni cylinder 31/41, modular design, nickel finish

Applications and usage

- ▶ For mortise locks in accordance with DIN or ÖNORM
- ▶ For mortise locks in accordance with European technical standards
- ▶ For mortise locks with profile cylinder hole

Functional characteristics

- ▶ Lockable on both sides with key
- ▶ Cam rotation: 360 degrees
- ▶ Cam removal position: 30 degrees (from the short side)

Technical data

- ▶ Cylinder body base material: brass
- ▶ Cylinder plug base material: brass
- ▶ Cam home position: 30 degrees
- ▶ Cam width: 9.3 mm

Scope of supply

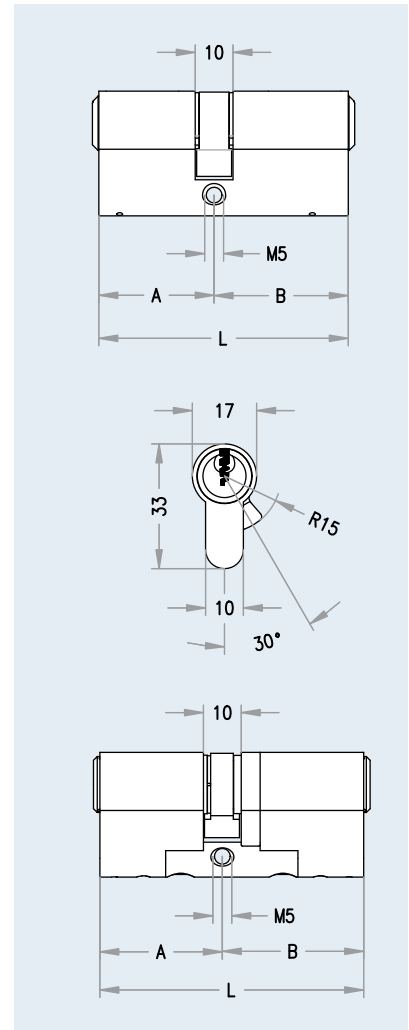
- ▶ Locking cylinder with fixing screw

Installation & operation

- ▶ Easy cylinder installation in a prepared, empty cylinder hole
- ▶ Cylinder projecting length may not exceed 3 mm for security-relevant doors
- ▶ Cylinder fixed through a M5 fastening hole

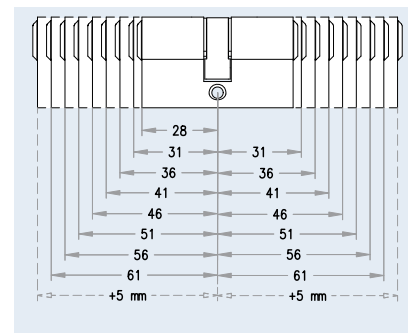
Finishes

Finishes	Abbreviations	Standard	Surcharge
Satin brass	BR	●	
Satin nickel	NI	●	
Polished nickel	PN		○
Satin chrome	CR		○
Polished chrome	PC		○
Black	BL		○
Brown	BW		○
Polished brass	PB		○
PVD	PVD		○

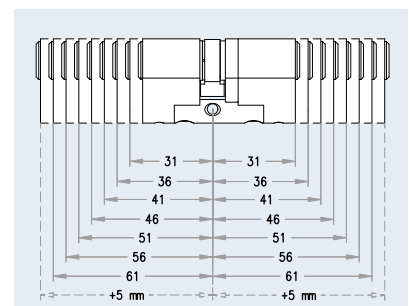


Cylinder lengths

6-pin compact design



6-pin modular design



Length deviations of 1.5 mm possible!

DZ Double Cylinder | Options



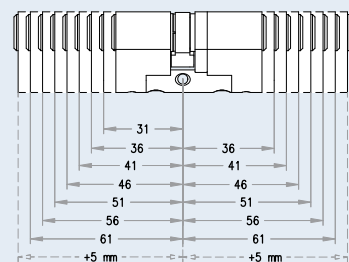
Ordering information

- ▶ DZ cylinder length A/B, [finish] BSZ

BSZ - double cylinder with external key override, danger function for double cylinder

Permits operation of the cylinder even when an authorised key is inserted in the opposite side.

5- and 6-pin modular design



5-pin compact design available from 27/36

6-pin compact design available from 28/31



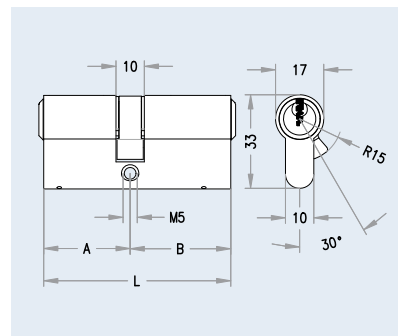
Ordering information

- ▶ DZ cylinder length A/B, [finish]
 - NS-BS (both sides)
 - NS-ES (one sided with symmetric cylinders)
 - NS-KS (short side)
 - NS-LS (long side)

NS - nickel silver plugs

For cylinders subjected to heavy duty, e.g. central cylinders on frequently opened building doors, ...

Higher wear resistance due to a special nickel silver alloy of the plug.

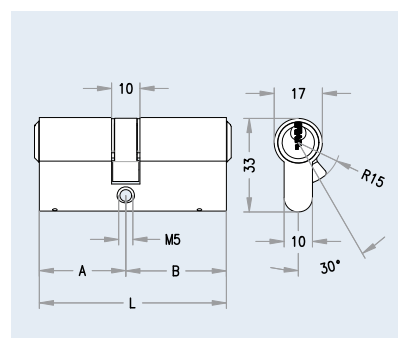


Ordering information

- ▶ DZ cylinder length A/B, [finish]
 - KSZ-ES (one sided with symmetric cylinders)
 - KZS-BS (both sides)
 - KZS-KS (short side)
 - KZS-LS (long side)

KZS – special drilling and pulling protection

Plug pulling with special tools is prevented by special hard metal pins. Increased drilling protection is also provided. KZS protects against visible opening methods and exceeds the protective goals of norms.

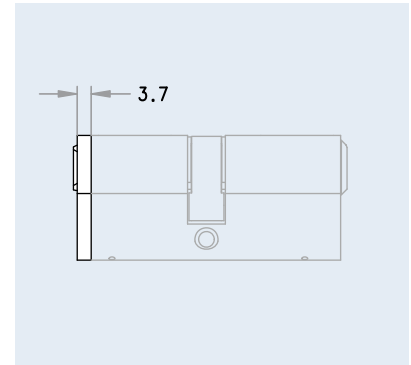


DZ Double Cylinder | Options



SSW – protection mechanism against dust and weathering influences (dust cover)

Spring-loaded shutter plates integrated into the cylinder that automatically open or close when the key is inserted or removed.



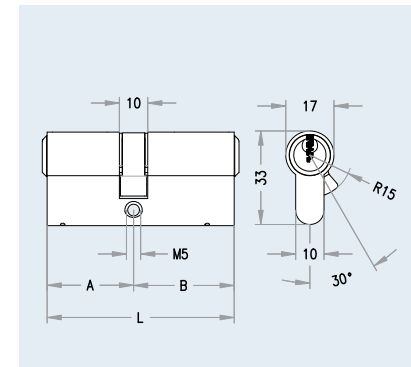
Ordering information

- ▶ DZ cylinder length A/B, [finish]
 - SSW-BS (both sides)
 - SSW-ES (one sided with symmetric cylinders)
 - SSW-KS (short side)
 - SSW-LS (long side)



SEW – seawater resistant model

For cylinders exposed to more severe environmental influences. Corrosion-susceptible cylinder parts are supplied with a special surface treatment.



Ordering information

- ▶ DZ cylinder length A/B, [finish]
SEW



VdS-cylinder

VdS B-certified cylinder for installation in switchgear facilities (alarm systems). Increased resistance to visible and non-visible opening techniques. KZS security option is integrated.



Ordering information

- ▶ DZ cylinder length A/B, [finish] VdS

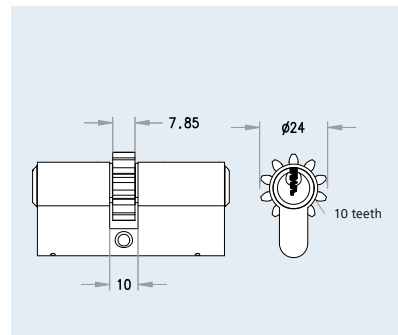
DZ Double Cylinder | Options



ZR10 cog-wheel cam

(10 teeth)

The cylinder is designed for multi-point locks or special mortise locks that are operated via a gear ring or a toothed rack.



Ordering information

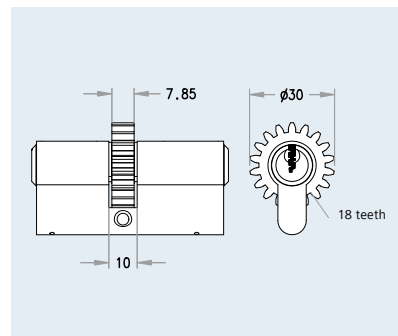
- ▶ DZ cylinder length A/B, [finish] ZR10



ZR18 cog-wheel cam

(18 teeth)

The cylinder is designed for multi-point locks or special mortise locks that are operated via a gear ring or a toothed rack.



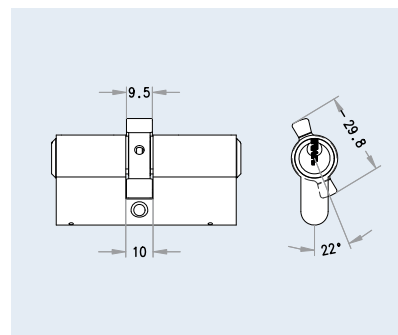
Ordering information

- ▶ DZ cylinder length A/B, [finish] ZR18



BIF double cam

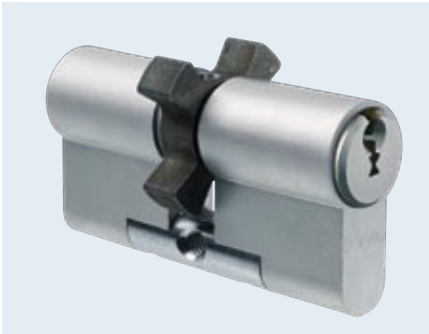
The cylinder is designed for manufacturer-specified locks in Biffar doors.



Ordering information

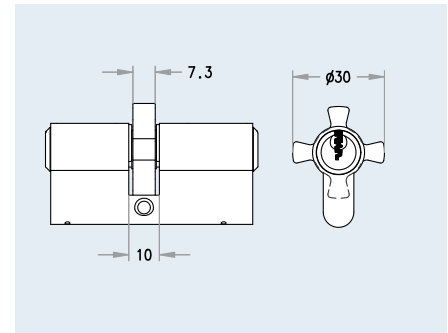
- ▶ DZ cylinder length A/B, [finish] BIF
- ▶ Cam position: 22 degrees, from short cylinder side
- ▶ Please observe the door manufacturer's instructions!

DZ Double Cylinder | Options



STEN star cam

The cylinder is designed for ABUS bar locks types PR1500 & PR1600.



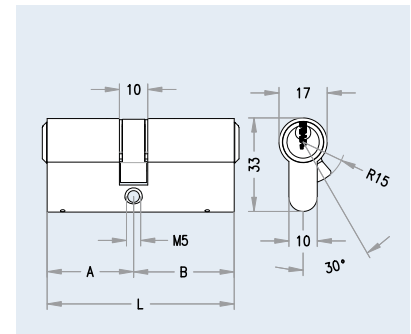
Ordering information

- ▶ DZ cylinder length A/B, [finish] STEN



VAR - Vario, construction keying

If an authorised key is lost or stolen, the cylinder can be mechanically recoded with the Vario B key in such a manner that the lost/stolen key cannot operate the cylinder anymore.



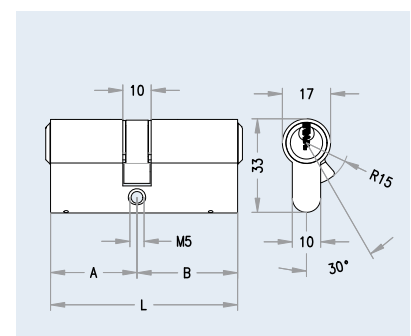
Ordering information

- ▶ DZ cylinder length A/B, [finish] Vario



DUP - Duplo four-eyes principle

The Duplo key only operates the latch (latch retraction), whereas a super-ordinate key can operate both latch and bolt. Duplo key users can, for example, lock the door with the key during the day; the owner can lock the door at any time with his key.



Ordering information

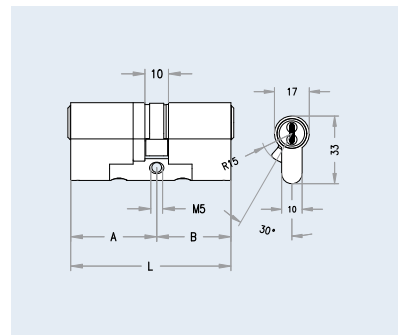
- ▶ DZ cylinder length A/B, [finish],
 - DUP-BS (both sides)
 - DUP-ES (one sided with symmetric cylinders)
 - DUP-KS (short side)
 - DUP-LS (long side)

DZ Double Cylinder | Options



GEFE – emergency key feature

A special emergency key can operate the cylinder even when an authorised key is inserted on the opposite side.



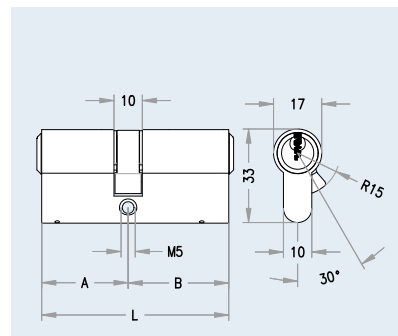
Ordering information

- ▶ DZ cylinder length A/B, [finish] GEFE



HOTE – hotel function

A special HOTE emergency key can operate the cylinder in an emergency even when an authorised key is inserted on the opposite side. A cylinder with this feature is additionally marked with a red tracer (e.g. on the outside).



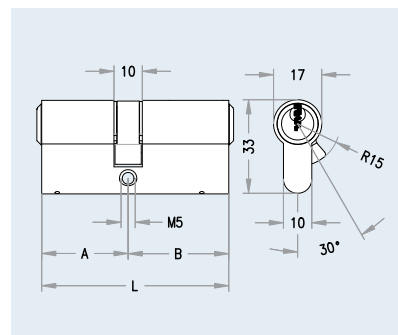
Ordering information

- ▶ DZ cylinder length A/B, [finish],
 - HOTE-BS (both sides)
 - HOTE-ES (one sided with symmetric cylinders)
 - HOTE-KS (short side)
 - HOTE-LS (long side)



Double cylinder with shortened body

Cylinder with shortened body, also for use in special metal frame doors with integrated security rose.



Ordering information

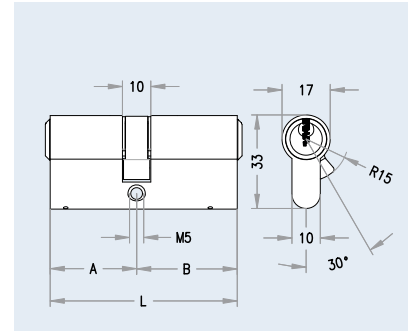
- ▶ DZ cylinder length A/B, [finish]
 - ZVS-(ES/LS/KS)
 - ZVS-ES (one sided, with symmetric cylinders)
 - ZVS-LS (long side)
 - ZVS-KS (short side)

DZ Double Cylinder | Options



PA - partner cylinder

The cylinder can only be operated when an authorised key is inserted on the opposite side.



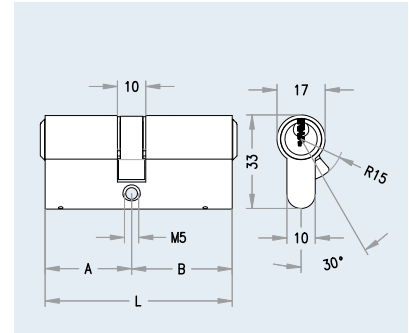
Ordering information

- ▶ DZ cylinder length A/B [finish] PA



USH - differing locking hierarchy

The cylinder has different A/B hierarchic authorisation levels, e.g. the outside can only be operated by a super-ordinate key while the inside can be operated with any authorised key.



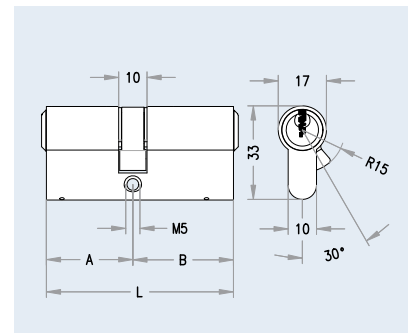
Ordering information

- ▶ DZ cylinder length A/B, [finish] USH;
- ▶ Specification of locking authorisations per cylinder side (A/B)



FL2 - double cylinder with free-wheel function

Cylinder with 360 degree free-wheeling cam when key is not inserted. Coupling is engaged when the key tip is inserted.



Ordering information

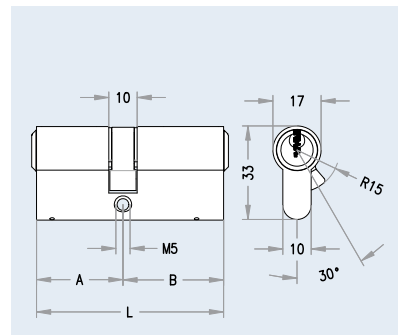
- ▶ DZ cylinder length A/B, [finish] FL2

DZ Double Cylinder | Options



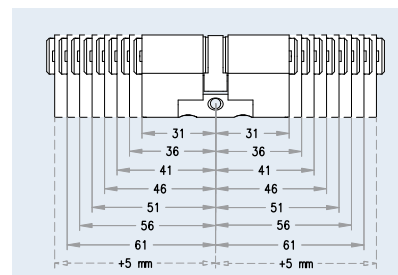
Double cylinder with free-wheel function and positive decoupling

Cylinder with 360 degree free-wheeling and positive-action decoupling of the cam. Coupling engaged when the key tip is inserted. Special cam design. Suitable for geared-lock anti-panic multiple locking.



Ordering information

- ▶ DZ cylinder length A/B, [finish] FZG



Options overview

ARS possible only in compact design, VAR possible only in compact design, S = Standard
● simple combination possible
ARS, VARIO, GEFE, HOTE and SG are only possible in compact design

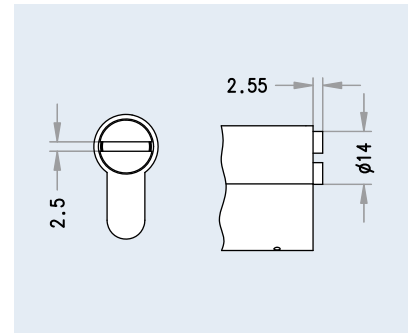
	BSZ	KZS	SSW	SEW	ARS	VDS	NS	ZR10	ZR18	BIF	STEN	VAR	GEFE	HOTE	ZVS	PA	USH	FREI	FZG	DUP
external key override	-	●	●	●	●	●	●	●	●	●	●	●	-	-	●	-	●	-	-	●
plug pulling protection	●	-	-	●	●	S	●	●	●	●	●	●	-	-	●	●	●	●	●	●
dust cover	●	-	-	●	●	●	●	●	●	●	●	●	-	-	-	●	●	●	●	●
sea water resistant	●	●	●	-	●	●	●	●	●	●	●	●	●	●	●	●	●	●	●	●
protection against breaking off	●	●	●	●	-	S	●	-	-	-	-	-	-	-	●	●	●	-	-	●
cylinder certified acc to VdS	●	S	●	●	S	-	●	●	●	●	●	-	-	-	-	-	●	-	-	-
wear resistance	●	●	●	●	●	●	-	●	●	●	●	●	●	●	●	●	●	●	●	●
cog wheel cam (10 teeth)	●	●	●	●	-	●	●	-	-	-	-	●	●	●	●	●	●	●	-	●
cog wheel cam (18 teeth)	●	●	●	●	-	●	●	-	-	-	-	●	●	●	●	●	●	-	-	●
Biffar double cam	●	●	●	●	-	●	●	-	-	-	-	●	●	●	●	●	●	-	-	●
star cam	●	●	●	●	-	●	●	-	-	-	-	●	●	●	●	●	●	-	-	●
construction keying	●	●	●	●	●	-	●	●	●	●	●	-	-	-	●	●	●	●	●	-
emergency function	-	-	-	●	-	-	●	●	●	●	●	-	-	-	●	●	●	-	-	-
hotel function	-	-	-	●	-	-	●	●	●	●	●	-	-	-	●	-	●	-	-	-
shortened body	●	●	-	●	●	-	●	●	●	●	●	●	●	●	-	●	●	●	●	●
partner function	-	●	●	●	●	-	●	●	●	●	●	●	-	-	●	-	●	-	-	●
differing locking hierarchy	●	●	●	●	●	●	●	●	●	●	●	●	●	●	●	●	-	-	-	●
free wheel cam	-	●	●	●	-	-	●	-	-	-	-	●	●	●	●	-	●	-	-	●
free wheel cam for geared lock	-	●	●	●	-	-	●	-	-	-	-	●	-	-	●	-	●	-	-	●
four-eyes principle	●	●	●	●	●	-	●	●	●	●	●	-	-	-	●	●	●	●	●	-

DZ Double Cylinder | Options



Double cylinder, slot on one side

Can be operated with an authorised key on one side and with a flat object on the Flex side. Cam rotation is 360 degrees and cam removal position is 30 degrees (from the short side).



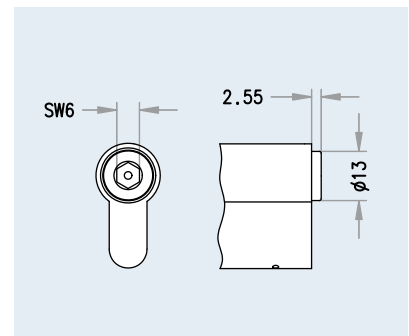
Ordering information

- ▶ DZ cylinder length A/B, [finish] Flex S-(ES/LS/KS)
- ▶ Flex S-ES (one sided, with symmetric cylinders)
- ▶ Flex S-LS (long cylinder side)
- ▶ Flex S-KS (short cylinder side)



Double cylinder, Allen socket on one side

Can be operated with an authorised key on one side and with a SW6 Allen key on the Flex side. Cam rotation is 360 degrees and cam removal position is 30 degrees (from the short side).



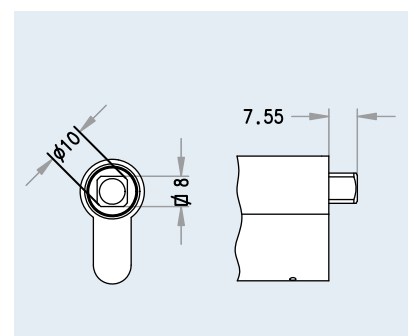
Ordering information

- ▶ DZ cylinder length A/B, [finish] (ES/LS/KS) [security, application and convenience options]
- ▶ Flex I6-ES
- ▶ Flex I6-LS
- ▶ Flex I6-KS



Double cylinder, square socket on one side

Can be operated with an authorised key on one side and with an 8 mm square socket key on the Flex side. Cam rotation is 360 degrees and cam removal position is 30 degrees (from the short side).



Ordering information

- ▶ DZ cylinder length A/B, [finish] (ES/LS/KS) [security, application and convenience options]
- ▶ Flex 4K-ES
- ▶ Flex 4K-LS
- ▶ Flex 4K-KS

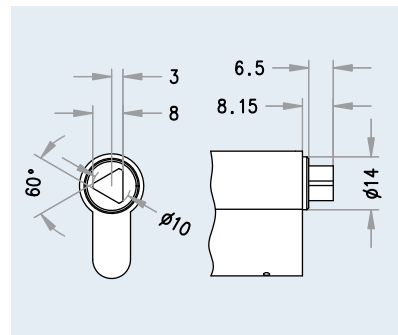
DZ Double Cylinder | Options



Double cylinder, 8 mm three-square socket on one side

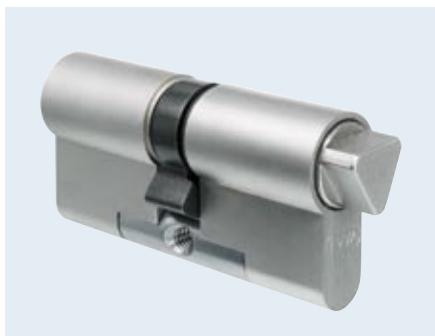
Can be operated with an authorised key on one side and with an 8 mm three-square key on the Flex side.

Cam rotation is 360 degrees and cam removal position is 30 degrees (from the short side).



Ordering information

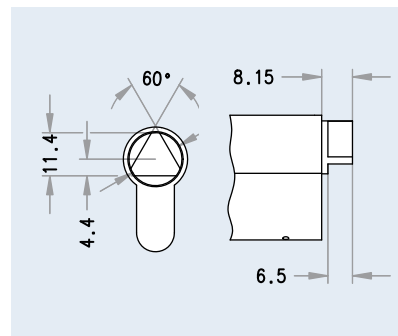
- ▶ DZ cylinder length A/B, [finish] (ES/LS/KS) [security, application and convenience options]
- ▶ Flex D8-ES
- ▶ Flex D8-LS
- ▶ Flex D8-KS



Double cylinder, 11 mm three-square socket on one side

Can be operated with an authorised key on one side and with an 11 mm three-square key on the Flex side.

Cam rotation is 360 degrees and cam removal position is 30 degrees (from the short side).



Ordering information

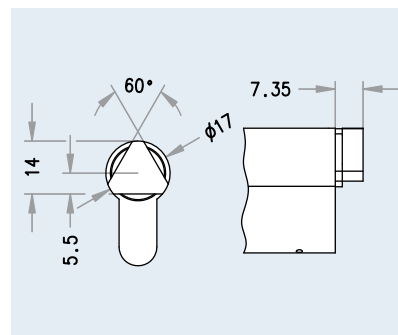
- ▶ DZ cylinder length A/B, [finish] (ES/LS/KS) [security, application and convenience options]
- ▶ Flex D11-ES
- ▶ Flex D11-LS
- ▶ Flex D11-KS



Double cylinder, 14 mm three-square socket on one side

Can be operated with an authorised key on one side and with an 14 mm three-square key on the Flex side.

Cam rotation is 360 degrees and cam removal position is 30 degrees (from the short side).



Ordering information

- ▶ DZ cylinder length A/B, [finish] (ES/LS/KS) [security, application and convenience options]
- ▶ Flex D14-ES
- ▶ Flex D14-LS
- ▶ Flex D14-KS

DZ Double Cylinder | Options

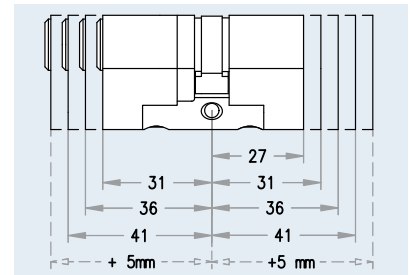
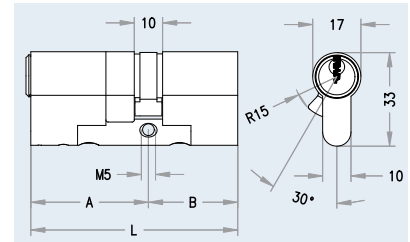


Double cylinder, blind on one side

Can be operated with an authorised key on one side.

Other cylinder side is blind, cannot be operated.

Cam rotation is 360 degrees and cam removal position is 30 degrees (from the short side).



Ordering information

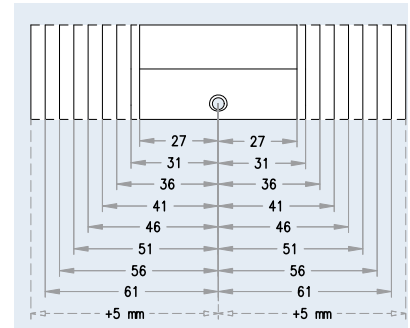
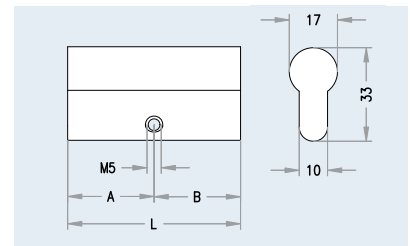
- ▶ DZ cylinder length A/B, [finish] Flex BL-(ES/LS/KS)
- ▶ Flex BL-ES (one sided with symmetric cylinders)
- ▶ Flex BL-LS (long cylinder side)
- ▶ Flex BL-KS (short cylinder side)



Double cylinder, blind on both sides

Double cylinder is blind on both sides, mortise lock cannot be used.

For doors that must not be locked but where the cylinder hole must be sealed.



Ordering information

- ▶ DZ cylinder length A/B, [finish] BLIND

KZ Thumbturn Cylinder



5-pin modular design

Ordering information

- ▶ KZ cylinder length A/B (A=outer side; B=inner side (thumbturn side)), [M = modular] [security and usage options]
- ▶ [finish]/[thumbturn design]
- ▶ When thumbturn design is not specified: AKN standard thumbturn

Applications and usage

- ▶ For mortise locks in accordance with DIN or ÖNORM
- ▶ For mortise locks in accordance with European technical standards
- ▶ For house doors, connecting doors, flat entry doors, security doors, metal frame doors, ...
- ▶ For break-in resistant doors of resistance class Wz6

Functional characteristics

- ▶ Can be locked from the outside with a key
- ▶ Thumbturn on the inside to lock and unlock the door
- ▶ Cam rotation: 360 degrees

Security features

- ▶ Hard metal drilling protection in the outside plug and body
- ▶ Pulling protection through chrome-nickel connecting rod (modular design only)
- ▶ Vertical key insertion for optimal scanning of locking elements

Technical data

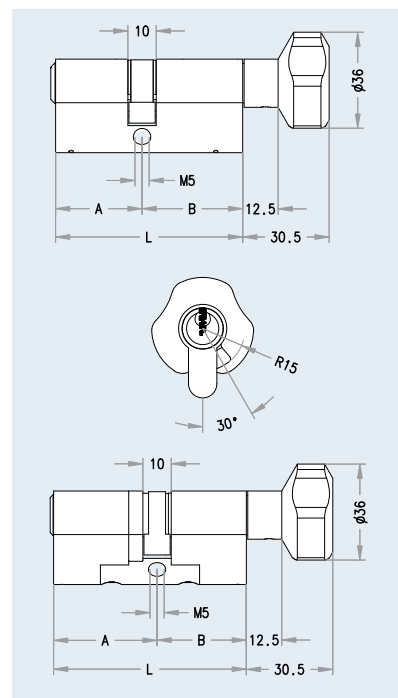
- ▶ Cylinder body base material: brass
- ▶ All scanning elements coated with Triflon
- ▶ Cam home position: 30 degrees
- ▶ Cam width: 9.3 mm
- ▶ Finishes: satin nickel plated, satin brushed, polished lacquer

Scope of supply

- ▶ Locking cylinder with thumbturn and fixing screw

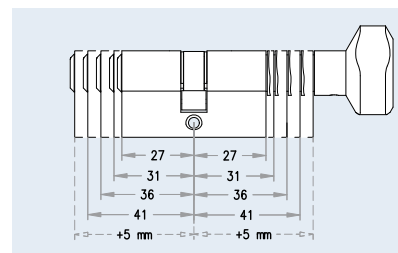
Installation & operation

- ▶ Easy cylinder installation in a prepared, empty cylinder hole
- ▶ Cylinder projecting length may not exceed 3 mm for security-relevant doors
- ▶ If required, inside thumbturn can be removed with a tool and replaced with another EVVA thumbturn
- ▶ Cylinder fixed through a M5 fastening hole

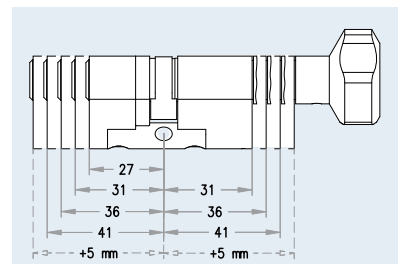


Cylinder lengths

5-pin compact design



5-pin modular design



Finishes

Finishes	Abbreviations	Cylinder	AKN	KKN	FKN	MRN	MKN	OKN	OKNA	EKN
Satin brass	BR	●	●	●	●	●	●	●	●	●
Satin nickel	NI	●	●	●	●	●	●	●	●	●
Polished nickel	PN	○	○	○	○	○	○	○	○	○
Satin chrome	CR	○	○	○	○	○	○	○	○	○
Polished chrome	PC	○	○	○	○	○	○	○	○	○
Black	BL	○	○	○	○	○	○	○	○	○
Brown	BW	○	○	○	○	○	○	○	○	○
Polished brass	PB	○	○	○	○	○	○	○	○	○
PVD	PVD	○	○	○	○	○	○	○	○	○
RAL colour	RAL	○	○	○	○	○	○	○	○	○

KZ Thumbturn Cylinder



6-pin modular design

Ordering information

- ▶ KZ cylinder length A/B (A=outer side; B=inner side (thumbturn side)), [M = modular] [security and usage options]
- ▶ [finish]/[thumbturn design]
- ▶ When thumbturn design is not specified: AKN standard thumbturn

Applications and usage

- ▶ For mortise locks in accordance with DIN or ÖNORM
- ▶ For mortise locks in accordance with European technical standards
- ▶ For house doors, connecting doors, flat entry doors, security doors, metal frame doors, ...
- ▶ For break-in resistant doors of resistance class Wz6

Functional characteristics

- ▶ Can be locked from the outside with a key
- ▶ Thumbturn on the inside to lock and unlock the door
- ▶ Cam rotation: 360 degrees

Security features

- ▶ Hard metal drilling protection for the outside plug and body
- ▶ Pulling protection through chrome-nickel connecting rod (modular design only)
- ▶ Vertical key insertion for optimal scanning of locking elements

Technical data

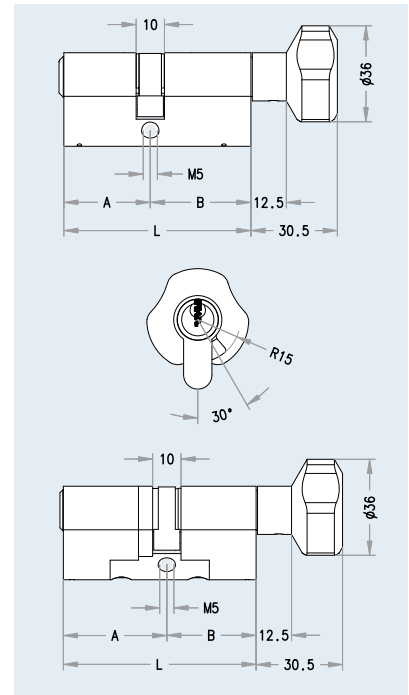
- ▶ Cylinder body base material: brass
- ▶ All scanning elements coated with Triflon
- ▶ Cam home position: 30 degrees
- ▶ Cam width: 9.3 mm
- ▶ Finishes: satin nickel plated, satin brushed, polished lacquer

Scope of supply

- ▶ Locking cylinder with thumbturn and fixing screw

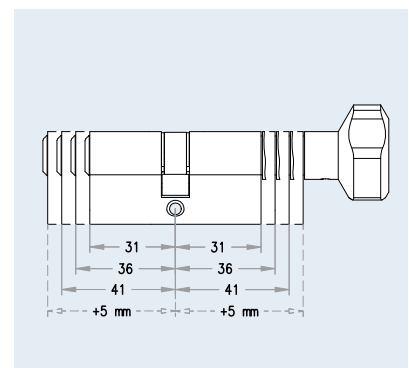
Installation & operation

- ▶ Easy cylinder installation in a prepared, empty cylinder hole
- ▶ Cylinder projecting length may not exceed 3 mm for security-relevant doors
- ▶ If required, inside thumbturn can be removed with a tool and replaced with another EVVA thumbturn
- ▶ Cylinder fixed through a M5 fastening hole



Cylinder lengths

6-pin compact and modular design



Finishes

Finishes	Abbreviations	Cylinder					
		AKN	KKN	FKN	RKN	OKNA	GKN
Satin brass	BR	●	●	●	●	●	●
Satin nickel	NI	●	●	●	●	●	●
Polished nickel	PN	○	○	○	○	○	○
Satin chrome	CR	○	○	○	○	○	○
Polished chrome	PC	○	○	○	○	○	○
Black	BL	○	○	○	○	○	○
Brown	BW	○	○	○	○	○	○
Polished brass	PB	○	○	○	○	○	○
PVD	PVD	○	○	○	○	○	○
RAL colour	RAL	○	○	○	○	○	○

AKN Standard Thumbturn



Ordering information

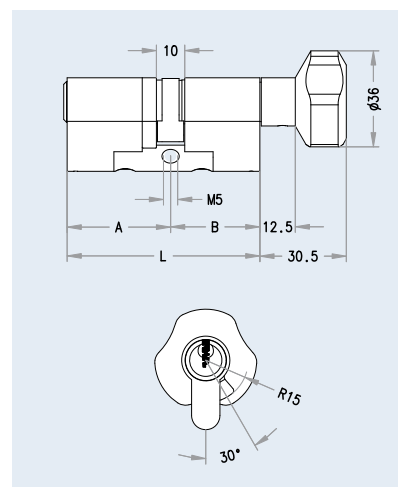
- ▶ KZ cylinder length A/B (A=outer side; B=inner side (thumbturn side)) [security and usage options]
- ▶ [finish]/AKN

Functional characteristics

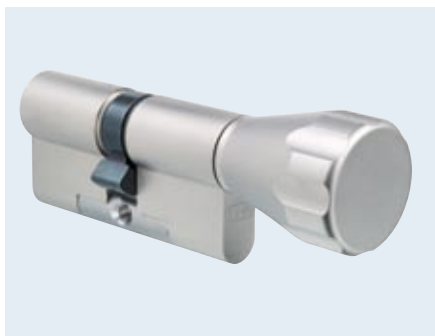
- ▶ Removable thumbturn with three grip recesses

Technical data

- ▶ Base material: brass
- ▶ Finishes: satin nickel plated, satin brushed, polished lacquer



KKN Conical Thumbturn



Ordering information

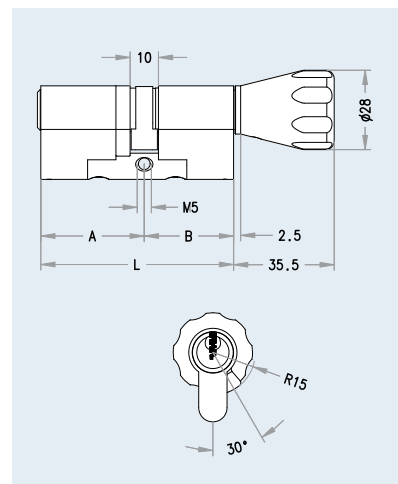
- ▶ KZ cylinder length A/B (A=outer side; B=inner side (thumbturn side)) [security and usage options]
- ▶ [finish]/KKN

Functional characteristics

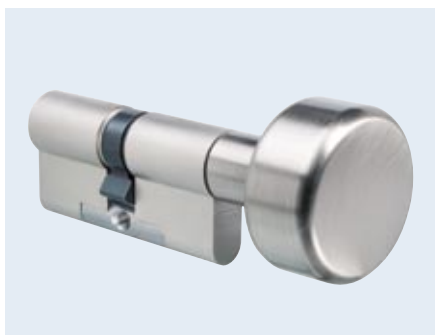
- ▶ Removable, cone-shaped thumbturn with grip recesses

Technical data

- ▶ Base material: brass
- ▶ Finishes: satin nickel plated, satin brushed, polished lacquer



RKN Round Thumbturn



Ordering information

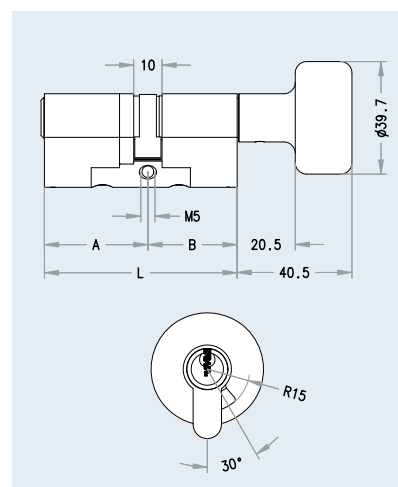
- ▶ KZ cylinder length A/B (A=outer side; B=inner side (thumbturn side)) [security and usage options]
- ▶ [finish]/RKN

Functional characteristics

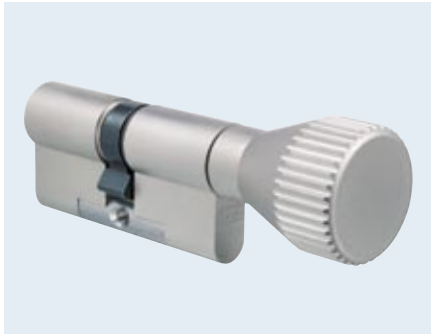
- ▶ Removable, round thumbturn set off to the rear

Technical data

- ▶ Base material: brass
- ▶ Finishes: satin nickel plated, satin brushed, polished lacquer



MKN Knurled Metal Thumbturn

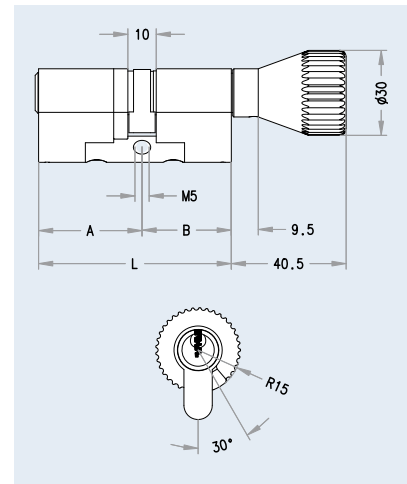


Functional characteristics

- ▶ Removable, knurled thumbturn with medium-sized serrations

Technical data

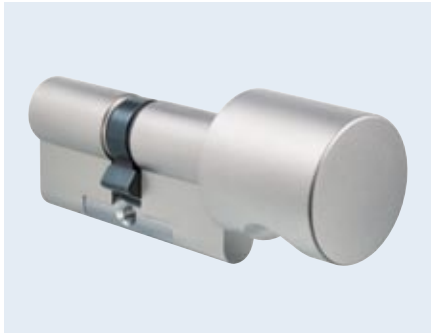
- ▶ Base material: brass
- ▶ Finishes: satin nickel plated, satin brushed, polished lacquer



Ordering information

- ▶ KZ cylinder length A/B (A=outer side; B=inner side (thumbturn side)) [security and usage options]
- ▶ [finish]/MKN

GKN Recessed Grip Thumbturn

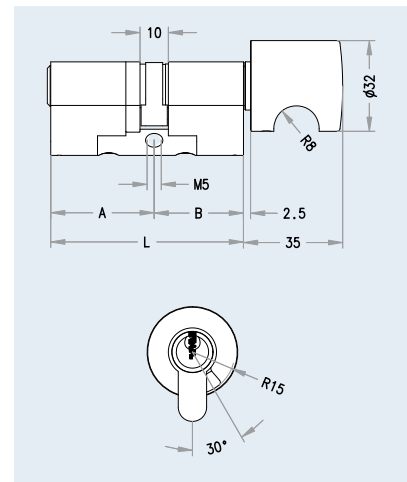


Functional characteristics

- ▶ Removable, round thumbturn set off to the rear

Technical data

- ▶ Base material: brass
- ▶ Finishes: satin nickel plated, satin brushed, polished lacquer
- ▶ Or lacquered in RAL colours: blue RAL5002; dark green RAL6012; yellow RAL1004; green RAL6001; grey RAL7038; red RAL3003; black RAL9005; white RAL 9010; other RAL colours on request



Ordering information

- ▶ KZ cylinder length A/B (A=outer side; B=inner side (thumbturn side)) [security and usage options]
- ▶ [finish]/GKN

FKN Flat Thumbturn

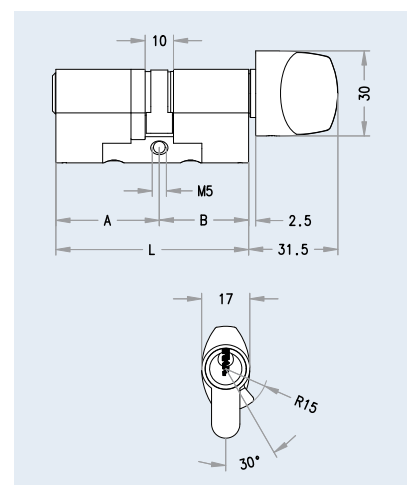


Functional characteristics

- ▶ Stylishly shaped, removable, flat thumbturn with 2 grip recesses
- ▶ Particularly suitable for the elderly and people with disabilities

Technical data

- ▶ Base material: brass
- ▶ Finishes: satin nickel plated, satin brushed, polished lacquer



Ordering information

- ▶ KZ cylinder length A/B (A=outer side; B=inner side (thumbturn side)) [security and usage options]
- ▶ [finish]/FKN

OKN Oval Thumbturn



Ordering information

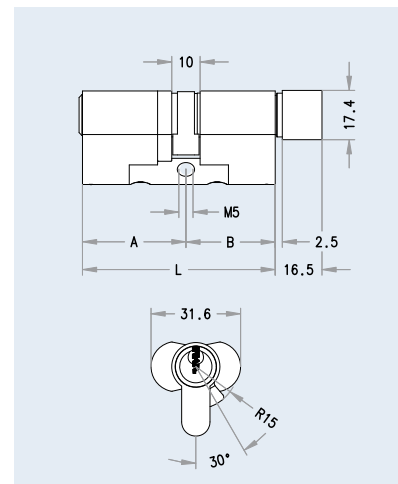
- ▶ KZ cylinder length A/B (A=outer side; B=inner side (thumbturn side)) [security and usage options]
- ▶ [finish]/OKN

Functional characteristics

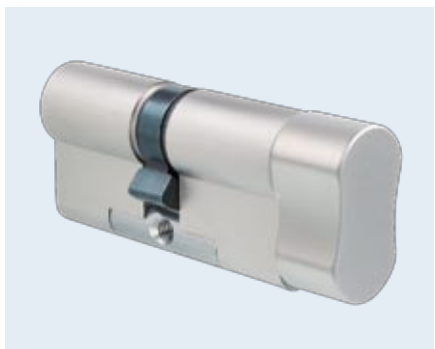
- ▶ Removable, horizontal, light metal thumbturn with two grip recesses

Technical data

- ▶ Base material: aluminium
- ▶ Finishes: satin nickel plated, F2 anodized, F3 anodized, polished gold colour



OKNA Asymmetric Oval Thumbturn



Ordering information

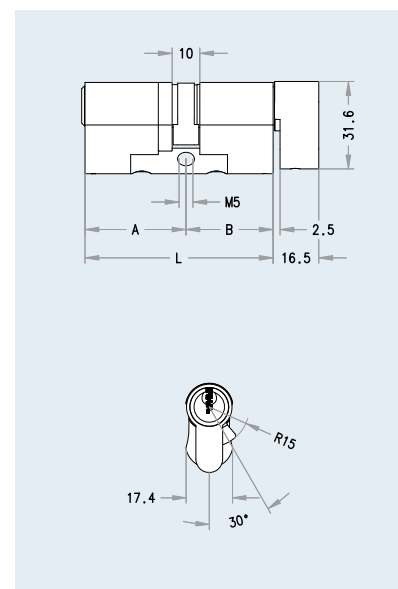
- ▶ KZ cylinder length A/B (A=outer side; B=inner side (thumbturn side)) [security and usage options]
- ▶ [finish]/OKNA

Functional characteristics

- ▶ Removable, vertical, light metal thumbturn with two grip recesses

Technical data

- ▶ Base material: aluminium
- ▶ Finishes: satin nickel plated, F2 anodized, F3 anodized, polished gold colour



Thumbturn Cylinders | Options



Ordering information

- ▶ KZ cylinder length A/B, CLASS (A=outer side; B=inner side (thumbturn side))
- ▶ [finish]/[thumbturn design]
- ▶ When thumbturn design is not specified: AKN standard thumbturn

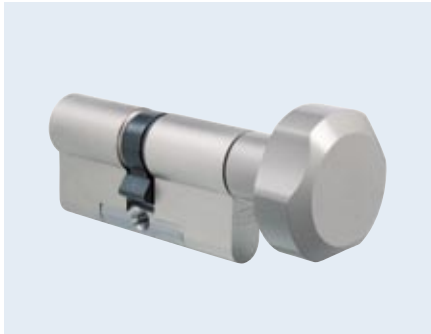
Thumbturn cylinder with classroom function

The thumbturn side (inside area) can only be unlocked with the thumbturn. Locking from the inside (e.g. class rooms) is not possible. In addition the key side always has priority function. Thus the cylinder can also be operated from the outside e.g. when the thumbturn is held from the inside.

Installation & operation

- ▶ Easy cylinder installation in a prepared, empty cylinder hole
- ▶ Adjustable for left/right doors
- ▶ Cylinder fixed through a M5 fastening hole

KZ Thumbturn Cylinders | Options



Thumbturn cylinder with SOS function

The key-operated cylinder side is equipped with a priority function. The cylinder can even be operated from the outside when manipulated (e.g. when the thumbturn is being held on the inside).

Further options

See DZ options

Ordering information

- ▶ cylinder length A/B, SOS (A=outer side; B=inner side (thumbturn side))
- ▶ [finish]/[thumbturn design]
- ▶ When thumbturn design is not specified: AKN standard thumbturn

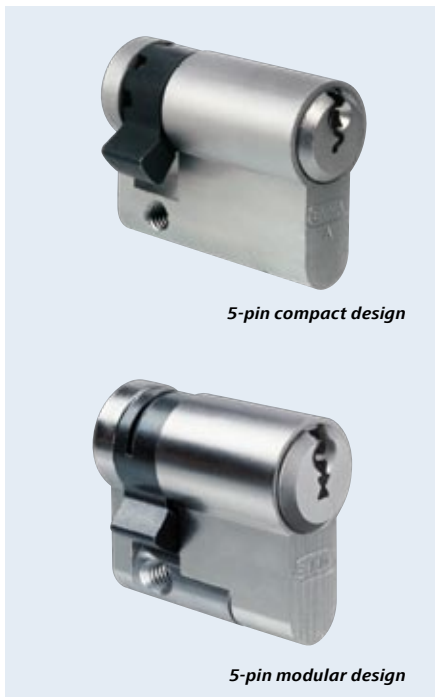
Options overview

ARS possible only in compact design,
VAR possible only in compact design,
S = Standard

- simple combination possible
- ARS, VARIO and SG are only possible in compact design

	BSZ	KZS	SSW	SEW	ARS	VDS	NS	ZR10	ZR18	BIF	STEN	VAR	GEFE	SOS	HOTE	ZVS	PA	USH	FREI	FZG	DUP
external key override	-	-	-	-	-	-	-	-	-	-	-	-	-	-	-	-	-	-	-	-	-
plug pulling protection	-	●	-	●	●	S	●	●	●	●	●	●	-	●	-	●	-	-	-	-	●
dust cover	-	-	●	●	●	●	●	●	●	●	●	●	-	●	-	-	-	-	-	-	●
sea water resistant	-	●	●	-	●	●	●	●	●	●	●	●	-	●	-	●	-	-	-	-	●
protection against breaking off	-	●	●	●	-	S	●	-	-	-	-	●	-	●	-	●	-	-	-	-	●
cylinder certified acc to VdS	-	S	-	-	S	-	-	●	-	●	●	-	-	-	-	●	-	-	-	-	-
wear resistance	-	●	●	●	●	-	-	●	●	●	●	●	-	●	-	●	-	-	-	-	●
cog wheel cam (10 teeth)	-	●	●	●	-	●	●	-	-	-	-	●	-	●	-	●	-	-	-	-	●
cog wheel cam (18 teeth)	-	●	●	●	-	●	●	-	-	-	-	●	-	●	-	●	-	-	-	-	●
Biffar double cam	-	●	●	●	-	●	●	-	-	-	-	●	-	●	-	●	-	-	-	-	●
star cam	-	●	●	●	-	●	●	-	-	-	-	●	-	●	-	●	-	-	-	-	●
construction keying	-	●	●	●	●	-	●	●	●	●	●	-	-	●	-	●	-	-	-	-	-
emergency function	-	-	-	-	-	-	-	-	-	-	-	-	-	-	-	-	-	-	-	-	-
priority function	-	●	●	●	●	-	●	●	●	●	●	●	-	●	-	●	-	-	-	-	●
hotel function	-	-	-	-	-	-	-	-	-	-	-	-	-	-	-	-	-	-	-	-	-
shortened body	-	●	-	●	●	-	●	●	●	●	●	●	-	●	-	●	-	-	-	-	●
partner function	-	-	-	-	-	-	-	-	-	-	-	-	-	-	-	-	-	-	-	-	-
differing locking hierarchy	-	-	-	-	-	-	-	-	-	-	-	-	-	-	-	-	-	-	-	-	-
free wheel cam	-	-	-	-	-	-	-	-	-	-	-	-	-	-	-	-	-	-	-	-	-
free wheel cam for geared lock	-	-	-	-	-	-	-	-	-	-	-	-	-	-	-	-	-	-	-	-	-
four-eyes principle	-	●	●	●	●	-	●	●	●	●	●	-	-	●	-	●	-	-	-	-	-

HZ Half Cylinder



Ordering information

- ▶ HZ cylinder length A, [M = modular], [finish], [security and usage options]
- ▶ e.g. HZ 32, M, Ni cylinder length 32, modular design with nickel finish

Applications and usage

- ▶ For single-turn or multi-turn mortise locks and other locks with a profile cylinder hole
- ▶ Key switch
- ▶ Activating devices
- ▶ Garage doors and roller shutters fastened at the side

Functional characteristics

- ▶ Can be operated with a key on one side
- ▶ Cam rotation: 360 degrees
- ▶ Cam removal position: 45 degrees
- ▶ Cam can be set to 8 positions (45°, 90°, 135°, 180°, 225°, 270°, 315°, 360°)

Technical data

- ▶ Cylinder body base material: brass
- ▶ Cylinder plug base material: brass
- ▶ All scanning elements coated with Triflon
- ▶ Cam home position: 45 degrees (changeable)
- ▶ Cam width: 9.3 mm

Scope of supply

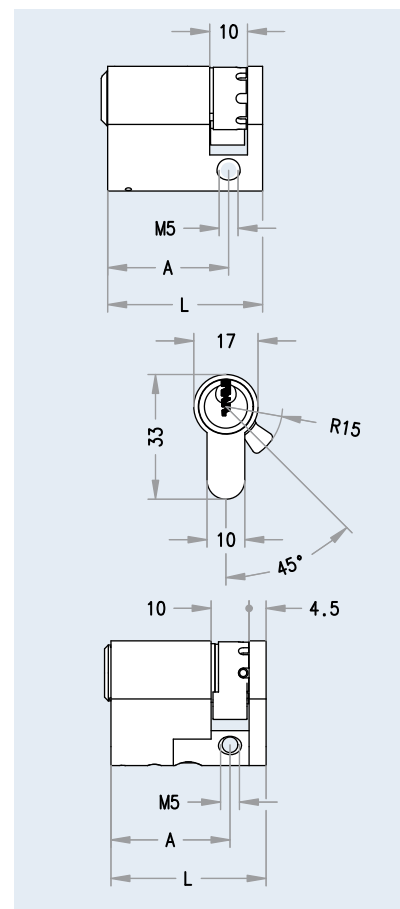
- ▶ Half cylinder with fixing screw

Installation & operation

- ▶ Easy cylinder installation in a prepared, empty cylinder hole
- ▶ Cylinder should be flush with the escutcheon or rose
- ▶ Cylinder fixed through a M5 fastening hole

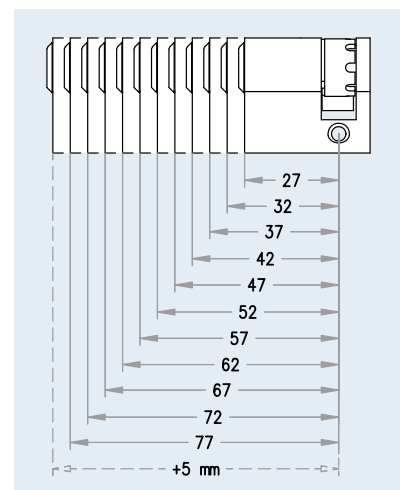
Finishes

Finishes	Abbreviations	Standard	Surcharge
Satin brass	BR	●	
Satin nickel	NI	●	
Polished nickel	PN		○
Satin chrome	CR		○
Polished chrome	PC		○
Black	BL		○
Brown	BW		○
Polished brass	PB		○
PVD	PVD		○

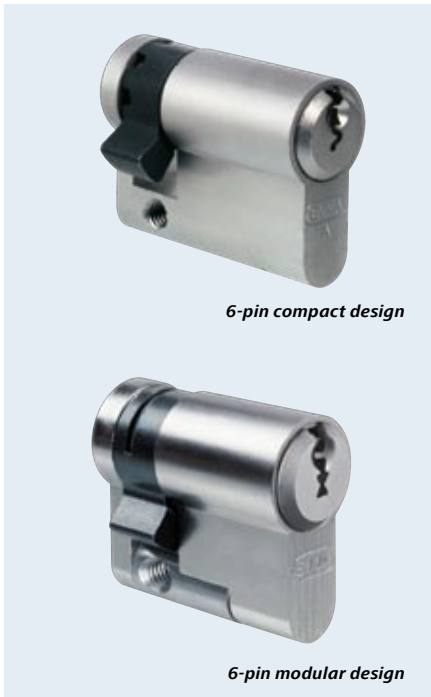


Cylinder lengths

5-pin compact and modular design



HZ Half Cylinder



6-pin compact design

6-pin modular design

Applications and usage

- ▶ For single-turn or multi-turn mortise locks and other locks with a profile cylinder hole
- ▶ Key switch
- ▶ Activating devices
- ▶ Garage doors and roller shutters fastened at the side

Functional characteristics

- ▶ Can be operated with a key on one side
- ▶ Cam rotation: 360 degrees
- ▶ Cam removal position: 45 degrees
- ▶ Cam can be set to 8 positions (45°, 90°, 135°, 180°, 225°, 270°, 315°, 360°)

Technical data

- ▶ Cylinder body base material: brass
- ▶ Cylinder plug base material: brass
- ▶ All scanning elements coated with Triflon
- ▶ Cam home position: 45 degrees (changeable)
- ▶ Cam width: 9.3 mm

Scope of supply

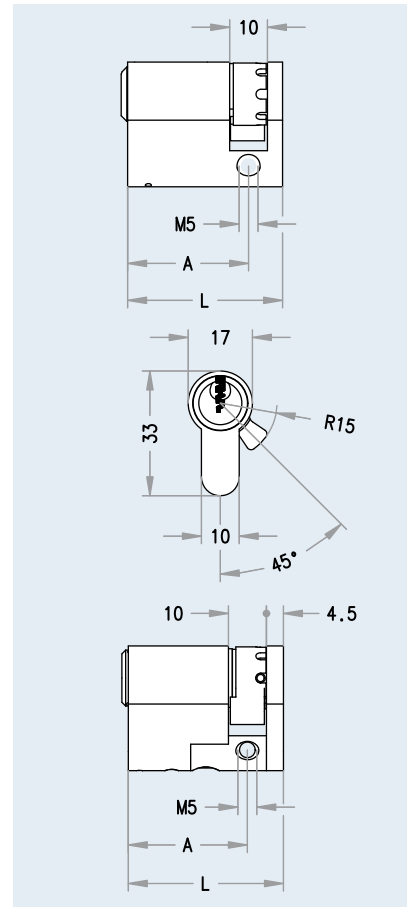
- ▶ Half cylinder with fixing screw

Installation & operation

- ▶ Easy cylinder installation in a prepared, empty cylinder hole
- ▶ Cylinder should be flush with the escutcheon or rose
- ▶ Cylinder fixed through a M5 fastening hole

Finishes

Finishes	Abbreviations	Standard	Surcharge
Satin brass	BR	●	
Satin nickel	NI	●	
Polished nickel	PN		○
Satin chrome	CR		○
Polished chrome	PC		○
Black	BL		○
Brown	BW		○
Polished brass	PB		○
PVD	PVD		○



Cylinder lengths

6-pin compact and modular design



HZ/S Half Cylinder



Ordering information

- ▶ HZ cylinder length A, [M = modular], [finish], [security and usage options]
- ▶ e.g. HZ 32, M, Ni
cylinder length 32, modular design with nickel finish

Applications and usage

- ▶ Key switch
- ▶ Activating devices
- ▶ Garage doors, roller shutters, lifts, escalators where fastening is from rear

Functional characteristics

- ▶ Can be operated with a key on one side
- ▶ Cam rotation: 360 degrees
- ▶ Cam removal position: 30 degrees
- ▶ Cam can be set to 8 positions (45°, 90°, 135°, 180°, 225°, 270°, 315°, 360°)
- ▶ Fastened through two M4 threaded holes at the rear
- ▶ Fastened through one M5 threaded hole at the side

Technical data

- ▶ Cylinder body base material: brass
- ▶ Cylinder plug base material: brass
- ▶ All scanning elements coated with Triflon
- ▶ Cam home position: 45 degrees (changeable)
- ▶ Cam width: 9.3 mm

Scope of supply

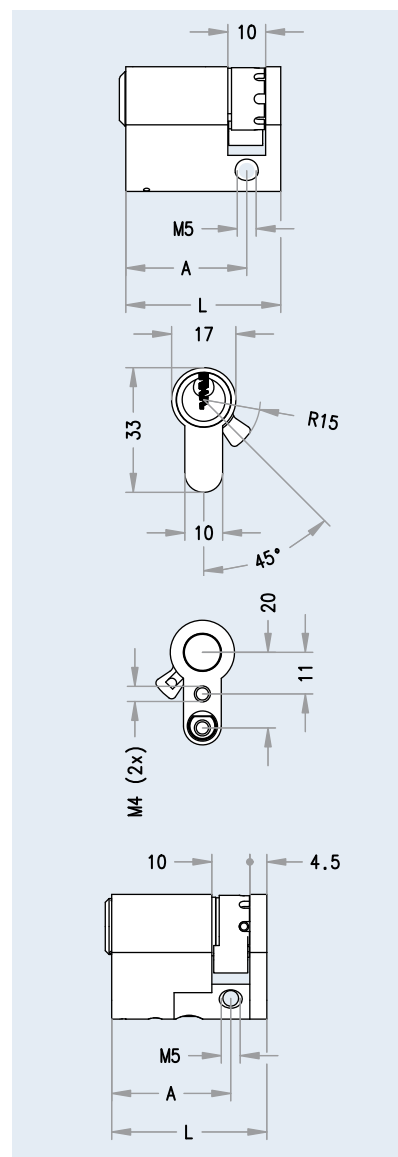
- ▶ Half cylinder with fixing screw

Installation & operation

- ▶ Easy cylinder installation in a prepared, empty cylinder hole
- ▶ Cylinder should be flush with the escutcheon or rose
- ▶ Cylinder fixed through a M5 fastening hole (at the side)
- ▶ Cylinder fixed through two rear M4 fastening holes

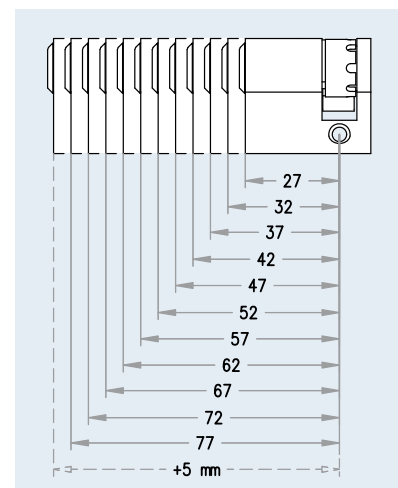
Finishes

Finishes	Abbreviations	Standard	Surcharge
Satin brass	BR	●	
Satin nickel	NI	●	
Polished nickel	PN		○
Satin chrome	CR		○
Polished chrome	PC		○
Black	BL		○
Brown	BW		○
Polished brass	PB		○
PVD	PVD		○

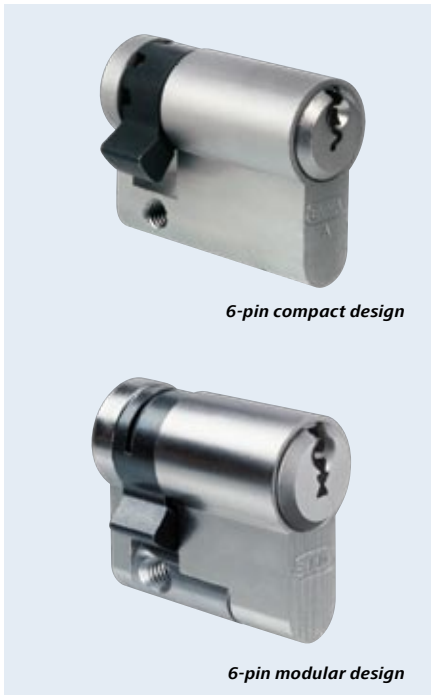


Cylinder lengths

5-pin compact and modular design



HZ/S Half Cylinder



Applications and usage

- ▶ Key switch
- ▶ Activating devices
- ▶ Garage doors, roller shutters, lifts, escalators where fastening is from rear

Functional characteristics

- ▶ Can be operated with a key on one side
- ▶ Cam rotation: 360 degrees
- ▶ Cam removal position: 30 degrees
- ▶ Cam can be set to 8 positions (45°, 90°, 135°, 180°, 225°, 270°, 315°, 360°)
- ▶ Fastened through two M4 threaded holes at the rear
- ▶ Fastened through one M5 threaded hole at the side

Technical data

- ▶ Cylinder body base material: brass
- ▶ Cylinder plug base material: brass
- ▶ All scanning elements coated with Triflon
- ▶ Cam home position: 45 degrees (changeable)
- ▶ Cam width: 9.3 mm

Scope of supply

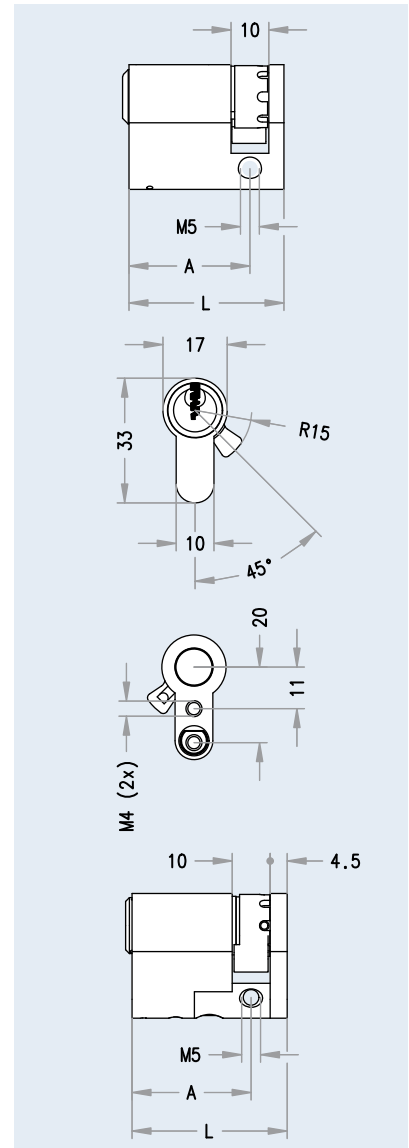
- ▶ Half cylinder with fixing screw

Installation & operation

- ▶ Easy cylinder installation in a prepared, empty cylinder hole
- ▶ Cylinder should be flush with the escutcheon or rose
- ▶ Cylinder fixed through a M5 fastening hole (at the side)
- ▶ Cylinder fixed through two rear M4 fastening holes

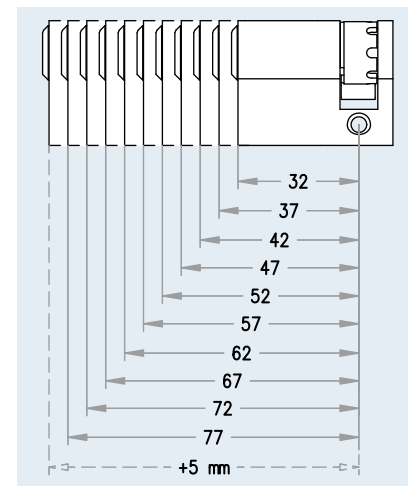
Finishes

Finishes	Abbreviations	Standard	Surcharge
Satin brass	BR	●	
Satin nickel	NI	●	
Polished nickel	PN		○
Satin chrome	CR		○
Polished chrome	PC		○
Black	BL		○
Brown	BW		○
Polished brass	PB		○
PVD	PVD		○



Cylinder lengths

6-pin compact and modular design



HPM Padlock



Ordering information

- ▶ HPM (standard: hardened steel shackle)

Applications and usage

- ▶ Elements and containers secured with a hasp
- ▶ Roller shutters
- ▶ Barrier systems
- ▶ Chain barriers
- ▶ Security fences

Functional characteristics

- ▶ Secures elementary fastening devices
- ▶ Padlock with round security shackle
- ▶ Operated on lower surface
- ▶ Locking rotation: 90 degrees
- ▶ Key can only be removed when locked

Security features

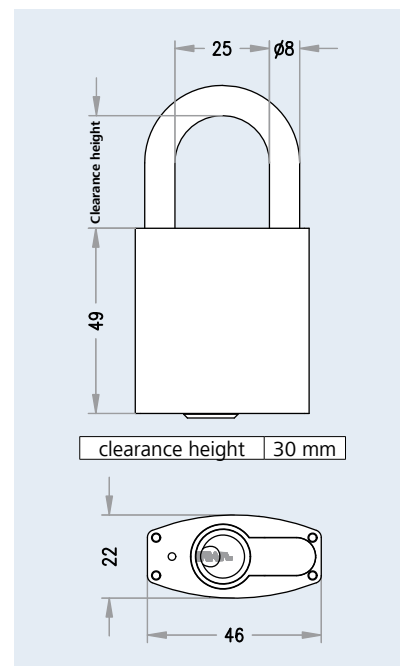
- ▶ Hard metal drilling protection in plug and body
- ▶ Positively driven locking of the security shackle

Technical data

- ▶ Padlock base material: brass, satin nickel plated
- ▶ Shackle made of hardened, chemically nickel plated steel or stainless steel
- ▶ Shackle diameter: 8 mm
- ▶ Standard shackle: clearance height: 30 mm
- ▶ clearance width: 25 mm

Installation & operation

- ▶ Can be used with any hasp with an opening > 8 mm



HPM BS Padlock



Ordering information

- ▶ HPM BS (standard: hardened steel shackle)

Applications and usage

- ▶ Elements and containers secured with a hasp
- ▶ Roller shutters
- ▶ Barrier systems
- ▶ Chain barriers
- ▶ Security fences

Functional characteristics

- ▶ Secures elementary fastening devices
- ▶ Padlock with round security shackle
- ▶ Operated on lower surface
- ▶ Locking rotation: 90 degrees
- ▶ Key can only be removed when locked

Security features

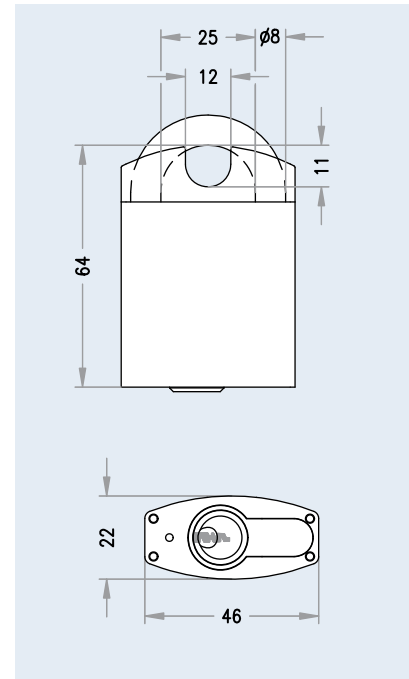
- ▶ Hard metal drilling protection in plug and body
- ▶ Positively driven locking of the security shackle
- ▶ Hardened steel shackle protection

Technical data

- ▶ Padlock base material: brass, satin nickel plated
- ▶ Shackle made of hardened, chemically nickel plated steel
- ▶ Shackle diameter: 8 mm
- ▶ Standard shackle: clearance height: 15 mm clearance width: 12 mm

Installation & operation

- ▶ Can be used with any hasp with an opening > 8 mm



HPM SSW Padlock With Dust Cover



Ordering information

- ▶ HPM SSW (standard: hardened steel shackle),
- ▶ shackle made of stainless steel on request

Applications and usage

- ▶ Elements and containers secured with a hasp
- ▶ Roller shutters
- ▶ Barrier systems
- ▶ Chain barriers
- ▶ Security fences

Functional characteristics

- ▶ Operated on lower surface
- ▶ Locking rotation: 90 degrees
- ▶ Key can only be removed when locked
- ▶ With dust cover

Security features

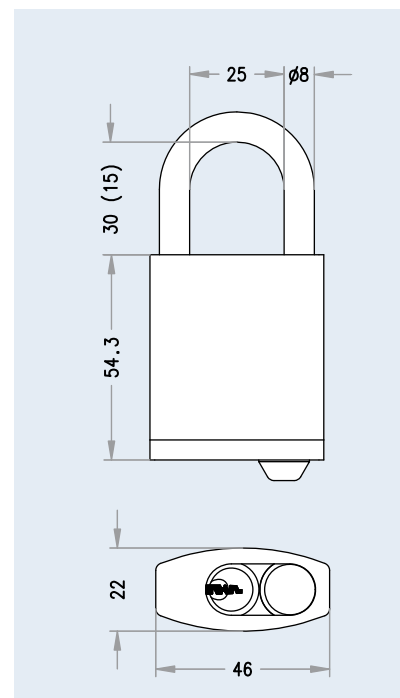
- ▶ Hard metal drilling protection in plug and body
- ▶ Positively driven locking of the security shackle

Technical data

- ▶ Padlock base material: brass, satin nickel plated
- ▶ Shackle made of hardened, chemically nickel plated steel or stainless steel
- ▶ Shackle diameter, 8 mm
- ▶ Standard shackle: clearance height: 30 mm
clearance width: 25 mm
- ▶ Dust cover

Installation & operation

- ▶ Can be used with any hasp with an opening > 8 mm



HPM Padlock With Extra Long Shackle



Ordering information

- ▶ HPM (standard: hardened steel shackle)

Applications and usage

- ▶ Roller shutters
- ▶ Chain barriers
- ▶ Security fences

Functional characteristics

- ▶ Secures elementary fastening devices
- ▶ Padlock with round security shackle
- ▶ Operated on lower surface
- ▶ Locking rotation: 90 degrees
- ▶ Key can only be removed when locked

Security features

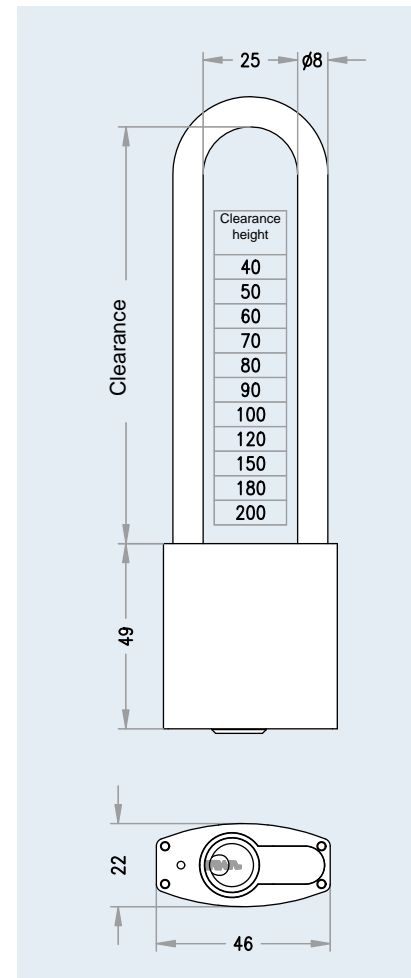
- ▶ Hard metal drilling protection in plug and body
- ▶ Positively driven locking of the security shackle

Technical data

- ▶ Padlock base material: brass, satin nickel plated
- ▶ Shackle made of hardened, chemically nickel plated steel or stainless steel
- ▶ Shackle diameter: 8 mm

Installation & operation

- ▶ Can be used with any hasp with an opening > 8 mm



H24 Padlock



Ordering information

- ▶ H24, NI

Applications and usage

- ▶ Elements and containers secured with a hasp
- ▶ Roller shutters
- ▶ Barrier systems
- ▶ Chain systems
- ▶ Security fences

Functional characteristics

- ▶ Secures elementary fastening devices
- ▶ Padlock with round security shackle
- ▶ Locking rotation: 90 degrees
- ▶ Key can only be removed when locked

Security features

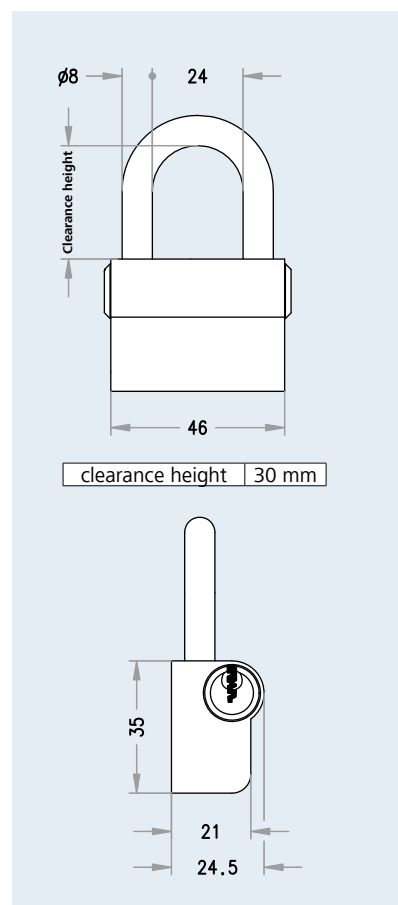
- ▶ Positively locked through locking rotation

Technical data

- ▶ Padlock base material: brass, satin nickel plated
- ▶ Shackle made of hardened, chemically nickel plated steel or stainless steel
- ▶ Shackle diameter: 8 mm
- ▶ Standard shackle: clearance height: 30 mm
clearance width: 24 mm

Installation & operation

- ▶ Can be used with any hasp with an opening > 8 mm



H24 S Padlock



Ordering information

- ▶ H24S, NI

Applications and usage

- ▶ Elements and containers secured with a hasp
- ▶ Roller shutters
- ▶ Barrier systems
- ▶ For applications with wide opening

Functional characteristics

- ▶ Secures elementary fastening devices
- ▶ Padlock with round security shackle
- ▶ Locking rotation: 90 degrees
- ▶ Key can only be removed when locked
- ▶ Security shackle can be removed when open

Security features

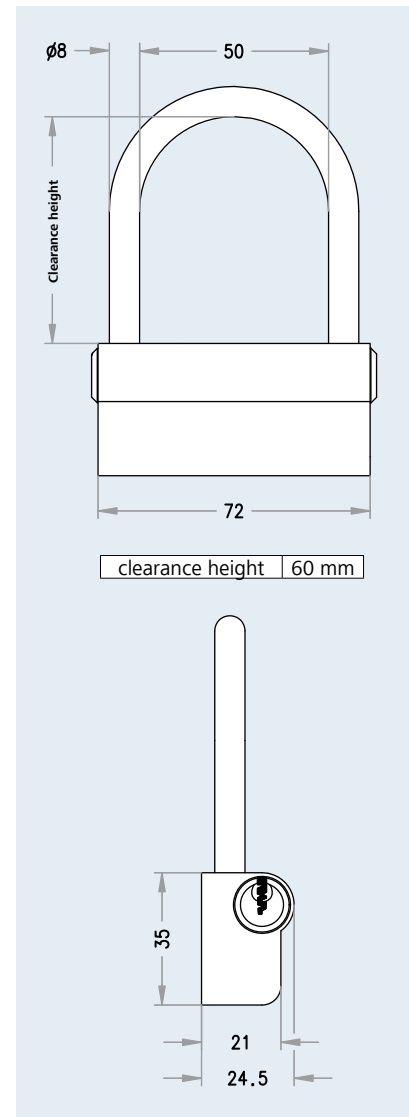
- ▶ Positively locked through locking rotation

Technical data

- ▶ Padlock base material: brass, satin nickel plated
- ▶ Shackle made of hardened, chemically nickel plated steel or stainless steel
- ▶ Shackle diameter: 8 mm
- ▶ Standard shackle: clearance height: 60 mm
clearance width: 50 mm

Installation & operation

- ▶ Can be used with any hasp with an opening > 8 mm



H30 Padlock



Ordering information

- ▶ H30, NI

Applications and usage

- ▶ Elements and containers secured with a heavy hasp
- ▶ Roller shutters
- ▶ Barrier systems
- ▶ Chain barriers
- ▶ Security fences

Functional characteristics

- ▶ Secures elementary fastening devices
- ▶ Padlock with round security shackle
- ▶ Locking rotation: 90 degrees
- ▶ Key can only be removed when locked

Security features

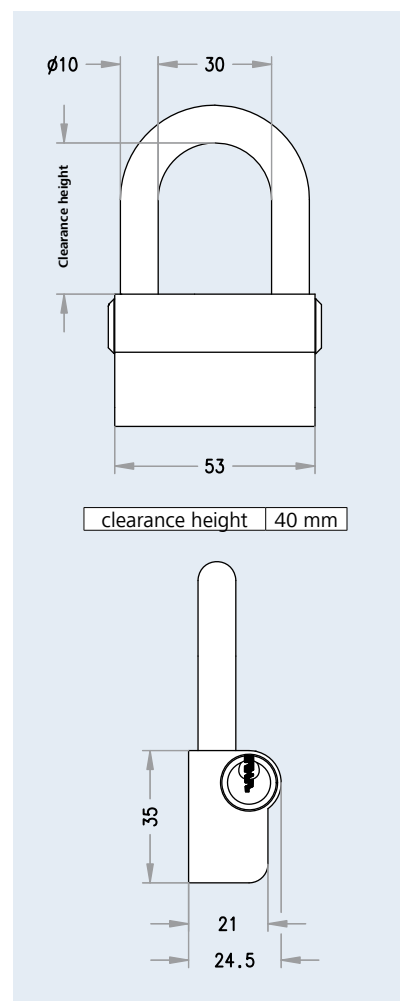
- ▶ Positively locked through locking rotation
- ▶ Shackle diameter: 10 mm

Technical data

- ▶ Padlock base material: brass, satin nickel plated
- ▶ Shackle made of hardened, chemically nickel plated steel or stainless steel
- ▶ Shackle diameter: 10 mm
- ▶ Standard shackle: clearance height: 40 mm
clearance width: 30 mm

Installation & operation

- ▶ Can be used with any hasp with an opening > 8 mm





MB19 Cam Lock



Ordering information

MB19 [finish], [cam], if the standard cam is used, no further information is necessary

Applications and usage

- ▶ Wooden and sheet metal boxes
- ▶ Mailboxes with small cylinder hole
- ▶ Showcase locks

Functional characteristics

- ▶ Locking by cam
- ▶ Locking rotation: 90 degrees
- ▶ Key can only be removed in closed position
- ▶ Flat side finishes prevent rotation
- ▶ Cylinder fixed at rear with a hex nut (WS22)
- ▶ Standard cam: 33.5 mm

Technical data

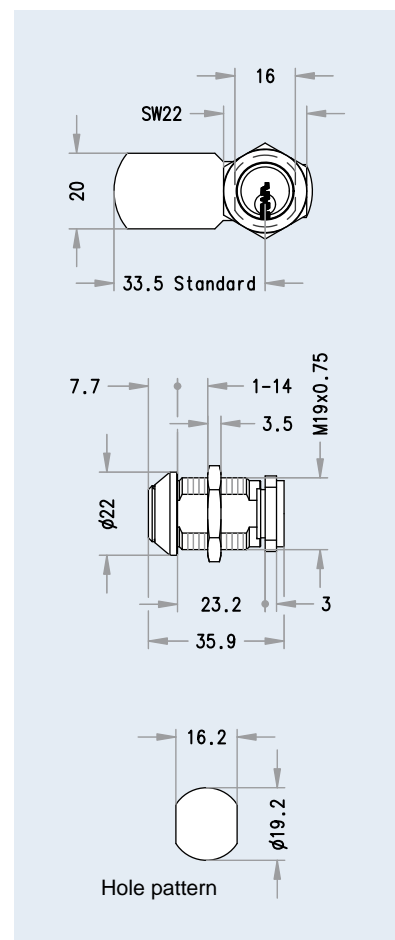
- ▶ Cylinder front face Ø, 22 mm
- ▶ M19 threads for WS22 fastening nut
- ▶ Base material: brass
- ▶ Steel cam, blue galvanised

Scope of supply

- ▶ Locking cylinder with standard cam 5072, 33.5 mm
- ▶ M19 fastening nut

Installation & operation

- ▶ For material thicknesses up to 14 mm
- ▶ Cylinder hole Ø 19, flattened to 16 mm
- ▶ Cam secured by 2 rear screws



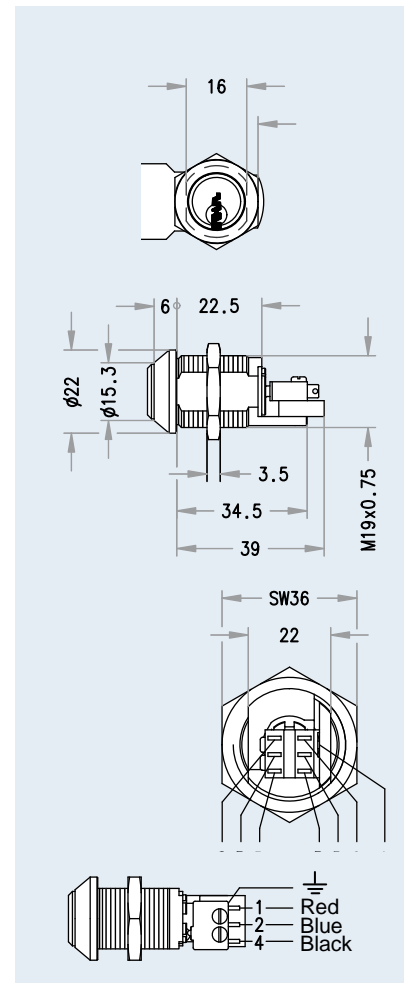
MB19SZ Switch Cylinder



Ordering information

MB19SZ [finish]

- Applications and usage**
 - ▶ As switch cylinder with integrated switch element
 - ▶ For direct activation of circuits
- Functional characteristics**
 - ▶ Locking rotation: 90 degrees
 - ▶ On/off switch function
 - ▶ Key can only be removed in one position
- Technical data**
 - ▶ Cylinder front face \varnothing 22 mm
 - ▶ M19 threads for WS22 fastening nut
 - ▶ Base material: brass
 - ▶ F4 T7 switch element
- Scope of supply**
 - ▶ Cylinder with switch elements and connecting cable
 - ▶ M19 fastening nut
- Installation & operation**
 - ▶ For material thicknesses up to 14 mm
 - ▶ Cylinder hole \varnothing 19, flattened to 16 mm
 - ▶ Electrical connection must be performed by a professional



MB23 Cam Lock



Ordering information

MB23 [finish], [cam], if the standard cam is used, no further information is necessary

Applications and usage

- ▶ Wooden and sheet metal boxes
- ▶ Mailboxes with medium cylinder hole
- ▶ Showcase locks
- ▶ Emergency key boxes
- ▶ Key cabinets
- ▶ Wardrobes/lockers
- ▶ Cabinets

Functional characteristics

- ▶ Locking by cam
- ▶ Locking rotation: 90 degrees
- ▶ Key can only be removed in closed position
- ▶ Flat side finishes prevent rotation
- ▶ Cylinder fixed at rear with a hex nut (WS27)
- ▶ Standard cam: 33.5 mm
- ▶ S function (MB23S): key can be removed in either of 2 positions

Security features

- ▶ Hard metal elements to prevent drilling into plug
- ▶ Flat finishes on both cylinder sides prevent rotation

Technical data

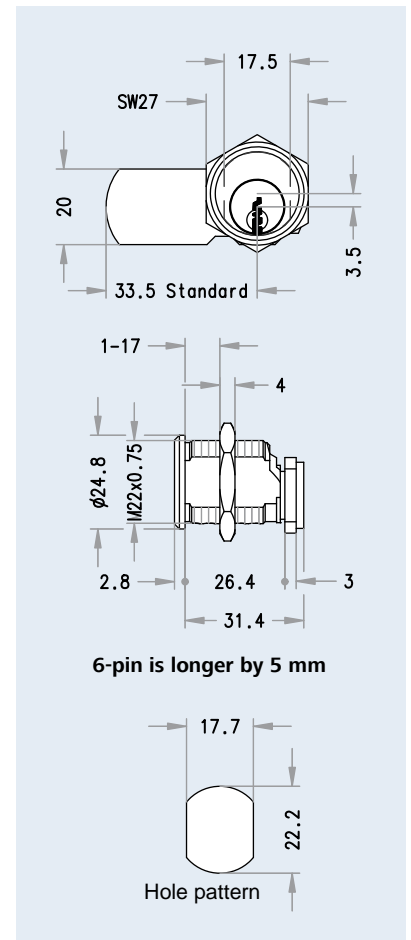
- ▶ Cylinder front face \varnothing 24.8 mm
- ▶ M22 threads for WS27 fastening nut
- ▶ Base material: brass
- ▶ Steel cam, blue galvanised

Scope of supply

- ▶ Locking cylinder with standard cam 5072, 33.5 mm
- ▶ M22 fastening nut

Installation & operation

- ▶ For material thicknesses up to 17 mm
- ▶ Cylinder hole \varnothing 23, flattened to 17.7 mm
- ▶ Cam secured by 2 rear screws



MB23GT Cam Lock For Glass Doors



Ordering information

MB23 [finish], [cam], [fastening plate], if the standard cam is used, no further information is necessary

Applications and usage

- ▶ Glass showcase locks
- ▶ Glass door cupboards

Functional characteristics

- ▶ Locking by cam
- ▶ Locking rotation: 90 degrees
- ▶ Key can only be removed in closed position
- ▶ Flat side finishes prevent rotation
- ▶ Cylinder fixed at rear with a hex nut (WS27)
- ▶ Standard cam: 33.5 mm
- ▶ Bevelled fastening plate

Security features

- ▶ Hard metal elements to prevent drilling into plug
- ▶ Flat finishes on both cylinder sides prevent rotation

Technical data

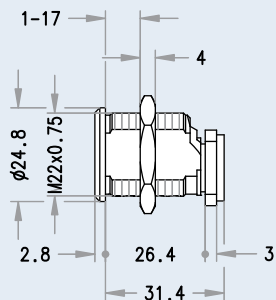
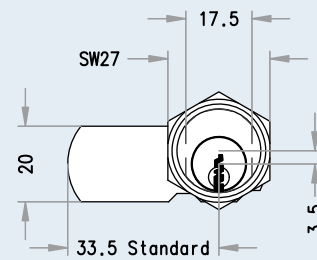
- ▶ Cylinder front face \varnothing 24.8 mm
- ▶ M22 threads for WS27 fastening nut
- ▶ Base material: brass
- ▶ Steel cam, blue galvanised
- ▶ Brushed aluminium fastening plate

Scope of supply

- ▶ Locking cylinder with standard cam 5072, 33.5 mm
- ▶ M22 fastening nut
- ▶ Fastening plate
- ▶ Plastic disc

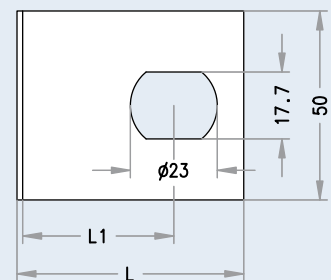
Installation & operation

- ▶ For material thicknesses up to 17 mm
- ▶ Cylinder hole \varnothing 23, flattened to 17.7 mm
- ▶ Cam secured by 2 rear screws
- ▶ Plastic disc to protect glass

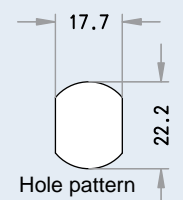
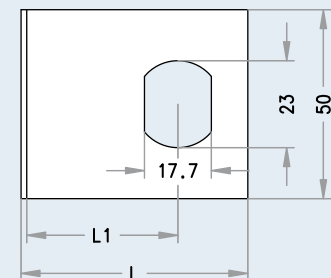


6-pin is longer by 5 mm

Version "A"



Version "B"



MB23SZ Switch Cylinder



Ordering information

MB23SZ [finish]

Applications and usage

- ▶ As switch cylinder with integrated switch element
- ▶ For direct activation of circuits

Scope of supply

- ▶ Locking cylinder with switch elements and connecting cable
- ▶ WS27 fastening nut

Functional characteristics

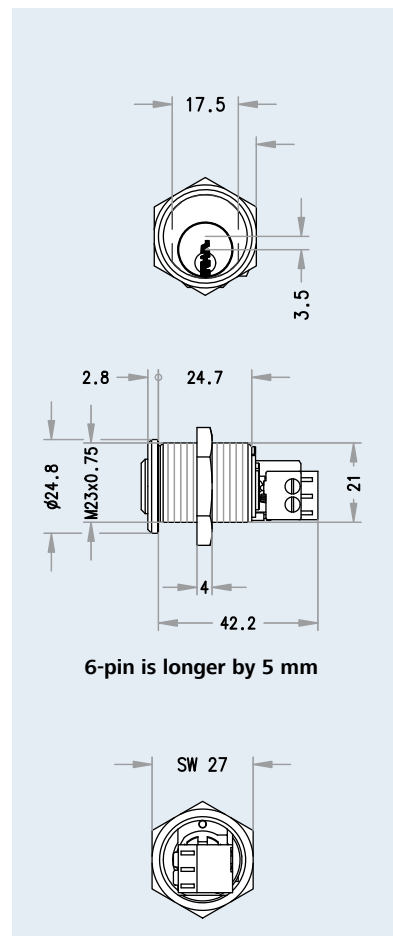
- ▶ Locking rotation: 90 degrees
- ▶ On/off switch function
- ▶ Key can only be removed in one position

Technical data

- ▶ Cylinder front face \varnothing 24.8 mm
- ▶ M23 threads for WS27 fastening nut
- ▶ Base material: brass
- ▶ F4 T7 switch element
- ▶ With earth connection

Installation & operation

- ▶ For material thicknesses up to 14 mm
- ▶ Cylinder hole \varnothing 23, flattened on one side to 17.7 mm
- ▶ Electrical connection must be performed by a professional



MB30 Cam Lock



Ordering information

MB30 [finish], [cam], if the standard cam is used, no further information is necessary

Applications and usage

- ▶ Wooden and sheet metal boxes
- ▶ Showcase locks
- ▶ Emergency key boxes with interlocking device
- ▶ Key safes
- ▶ Key cabinets
- ▶ Wardrobes/lockers
- ▶ Cabinets
- ▶ Fuse and junction boxes

Functional characteristics

- ▶ Locking by cam
- ▶ Locking rotation: 90 degrees
- ▶ Key can only be removed in closed position
- ▶ Flat side finishes prevent rotation
- ▶ Cylinder fixed at rear with a hex nut (WS36), standard cam: 33.5 mm
- ▶ S function (MB30S): key can be removed in either of 2 positions

Technical data

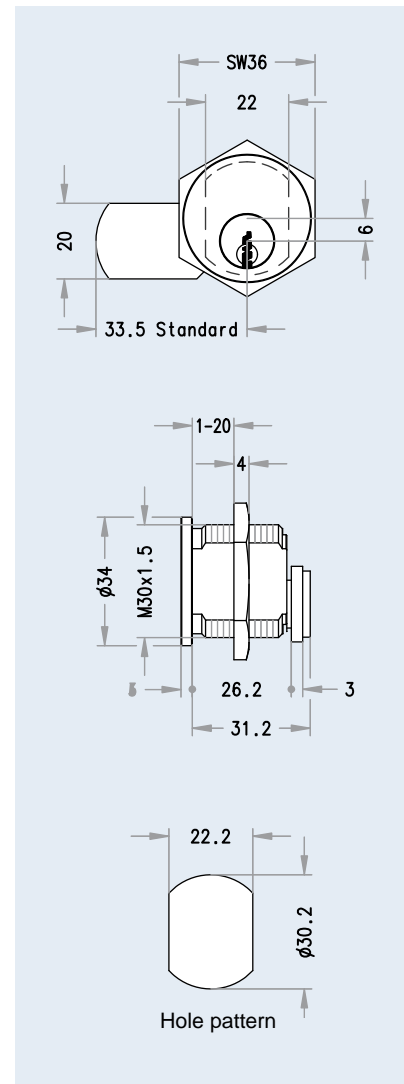
- ▶ Cylinder front face \varnothing 30 mm
- ▶ M30 threads for WS36 fastening nut
- ▶ Base material: brass
- ▶ Steel cam, blue galvanised

Scope of supply

- ▶ Locking cylinder with standard cam 5072, 33.5 mm
- ▶ M30 fastening nut

Installation & operation

- ▶ For material thicknesses between 1 and 20 mm
- ▶ Cylinder hole \varnothing 30, flattened to 22 mm
- ▶ Cam secured by 2 rear screws



ZB27 Cam Lock



Ordering information

ZB27 [finish], [cam], if the standard cam is used, no further information is necessary

Applications and usage

- ▶ Wooden and sheet metal boxes
- ▶ Mailboxes with large cylinder hole
- ▶ Mailbox systems with large cylinder hole
- ▶ Electric junction boxes
- ▶ Fuse boxes

Functional characteristics

- ▶ Locking by cam
- ▶ Locking rotation: 90 degrees
- ▶ Key can only be removed in closed position
- ▶ Cylinder fixed by rear clamp plate
- ▶ Standard cam 5072, 33.5 mm

Technical data

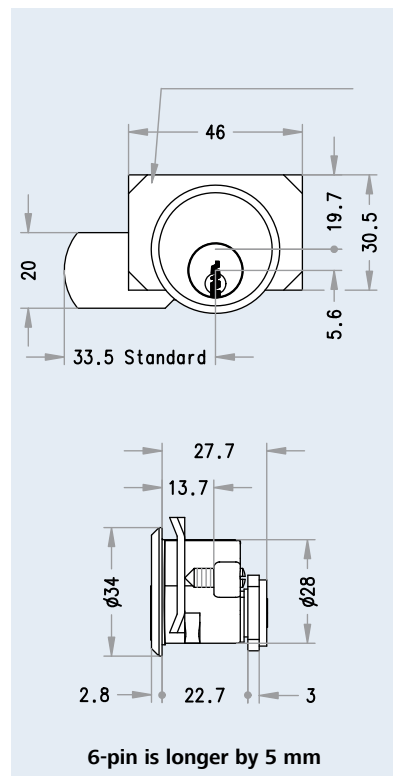
- ▶ Cylinder front face \varnothing 34 mm without rose, 50 mm with rose
- ▶ Base material: brass
- ▶ Steel cam, blue galvanised

Scope of supply

- ▶ Locking cylinder with standard cam 5072, 33.5 mm, without rose

Installation & operation

- ▶ For material thicknesses between 1 and 8.5 mm (without rose)
- ▶ Cam secured by 2 rear screws



ZB27K Cam Lock



Ordering information

ZB27K [finish], [cam], if the standard cam is used, no further information is necessary

Applications and usage

- ▶ Wooden and sheet metal boxes
- ▶ Electric junction boxes in outdoor areas
- ▶ Fuse boxes in outdoor areas

Functional characteristics

- ▶ Locking by cam
- ▶ Locking rotation: 90 degrees
- ▶ Key can only be removed in closed condition
- ▶ Cylinder fixed by rear clamp plate
- ▶ Standard cam 5072, 33.5 mm
- ▶ With dust cover

Technical data

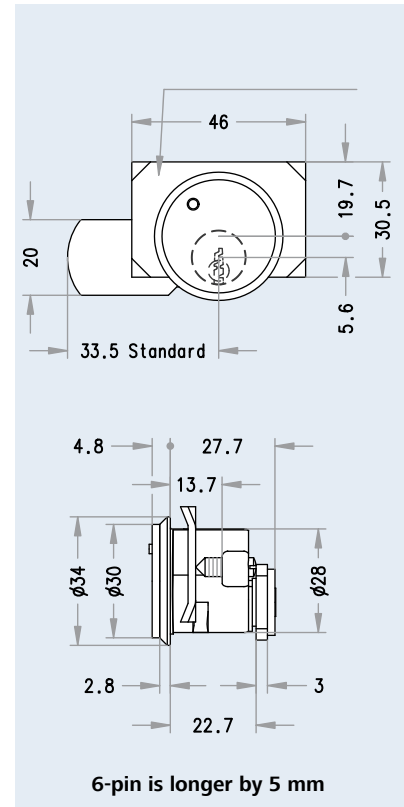
- ▶ Cylinder front face \varnothing 34 mm without rose, 50 mm with rose
- ▶ Base material: brass
- ▶ Steel cam, blue galvanised

Scope of supply

- ▶ Locking cylinder with 33.5 mm standard cam, dust cover, without rose

Installation & operation

- ▶ For material thicknesses between 1 and 8.5 mm (without rose)
- ▶ Cam secured by 2 rear screws



HMB Euro Profile Cam Lock



Ordering information

HMB, right/left specification necessary
[finish], [cam], if the standard cam is used,
no further information is necessary

Applications and usage

- ▶ Wooden cupboards
- ▶ Showcase locks

Functional characteristics

- ▶ Locking by cam
- ▶ Locking rotation: 90 degrees
- ▶ Key can only be removed in closed condition
- ▶ Cylinder fixed by rear fastening plate with end-stop
- ▶ Standard cam 5072, 37.5 mm, heavy duty design

Security features

- ▶ Hard metal elements to prevent drilling into plug

Technical data

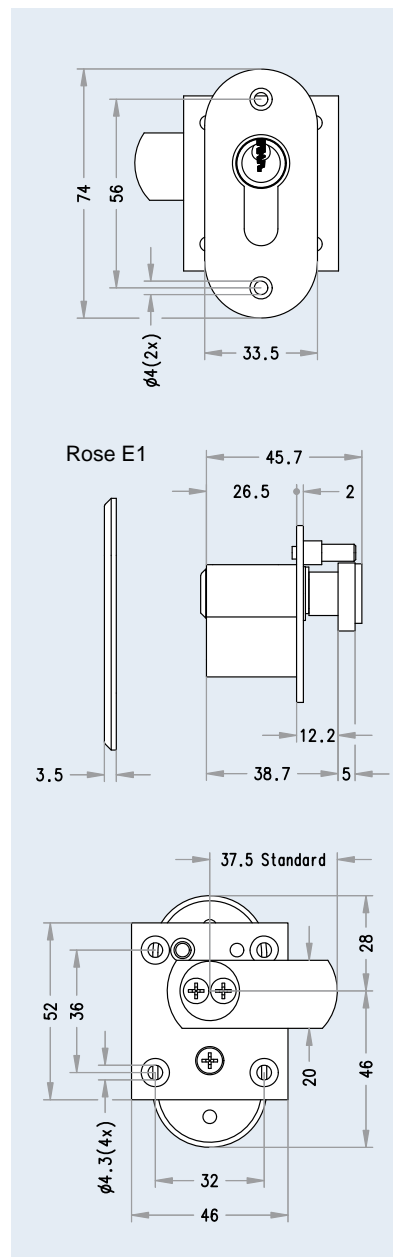
- ▶ Base material: brass
- ▶ Heavy-duty cam
- ▶ Steel cam and fastening plate, blue galvanised

Scope of supply

- ▶ Locking cylinder with standard cam 5072, 37.5 mm, heavy duty design
- ▶ With fastening plate

Installation & operation

- ▶ For material thicknesses up to 28 mm
- ▶ Euro profile cylinder hole
- ▶ Cam secured by 2 rear screws
- ▶ Cylinder fixed by four screws



MRT25 / MRL25 Furniture Cylinder



Ordering information

MRT25/31, [finish], [lock case type]

MRT25/36, [finish], [lock case type]

MRL25/31, [finish]

MRL25/36, [finish]

Applications and usage

- ▶ With Universal 4000 screw-on bolt lock for single locking
- ▶ For cupboard doors
- ▶ For cabinet doors
- ▶ With Universal 4540 espagnolette lock for multiple locking
- ▶ For cupboard doors with wide height clearance
- ▶ For cabinet doors with wide height clearance

Functional characteristics

- ▶ Locking rotation: 360 degrees
- ▶ Rear fixing screws for attachment to Universal 4000 screw-on bolt lock (configured for door design)
- ▶ ZVS Universal 4000 screw-on central lock
- ▶ Universal 4540 espagnolette lock

Technical data

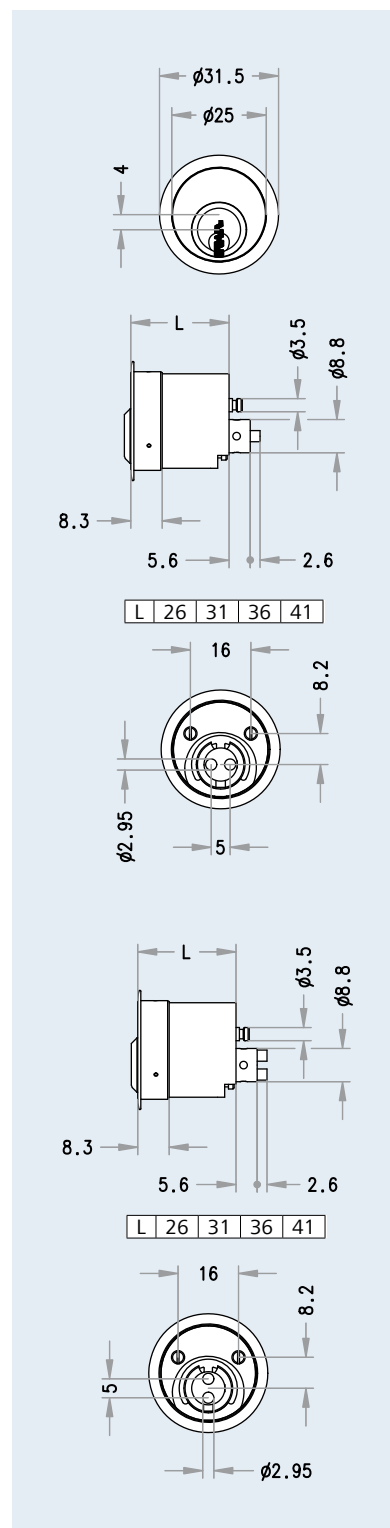
- ▶ Cylinder front face \varnothing 25 mm without rose
- ▶ Standard cylinder length: 31 mm
- ▶ Base material: brass

Scope of supply

- ▶ MRT25 round furniture cylinder with rose, designed for Universal 4000 lock cases (door design), Universal 4540

Installation & operation

- ▶ Universal clamp fixation to lock cases
- ▶ Easily retrofitted to lock cases



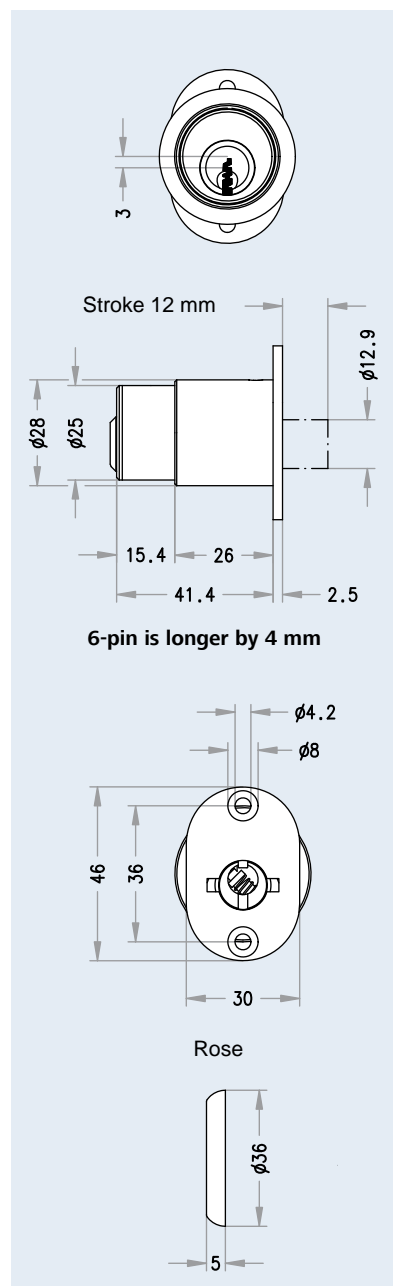
DRZ Push-in Cylinder



Ordering information

DRZ, [finish]

- Applications and usage**
 - ▶ To lock sliding doors
- Functional characteristics**
 - ▶ Bolt stroke: 12 mm
 - ▶ Locked without key
 - ▶ Unlocked with key
 - ▶ Cylinder fixed with integrated mounting plate
- Technical data**
 - ▶ Cylinder front face \varnothing 22 mm without rose
 - ▶ Cylinder length: 28.5 mm
 - ▶ Base material: brass
- Scope of supply**
 - ▶ Push-in cylinder with rose
- Installation & operation**
 - ▶ Fixed at rear, integrated mounting plate



Universal 4000 Screw-on Furniture Lock



Ordering information

Universal 4000

Applications and usage

Screw-on furniture lock for:

- ▶ Furniture doors
- ▶ Cabinet doors
- ▶ Shutters

Functional characteristics

- ▶ Preset backset for doors: 25, 30 and 35 mm
- ▶ Preset backset for shutters: 20, 25 and 30 mm
- ▶ Can be used on both left and right on doors and shutters

Scope of supply

- ▶ Universal 4000 lock case, without fastening material, without locking plate

Installation & operation

- ▶ Universal clamp fastening attached onto the lock case with side screws
- ▶ Easily retrofitted to lock cases, even if lock cases have already been installed

Security features

- ▶ Solid lock case design
- ▶ Double bolt stroke (5 mm and 10 mm)

Technical data

- ▶ Compact installation dimensions: 52 x 54 mm
- ▶ Fixed to door or shutter with three screws
- ▶ Adjustable backset dimension
- ▶ Lock case and bolt made of nickel-plated iron

MRT

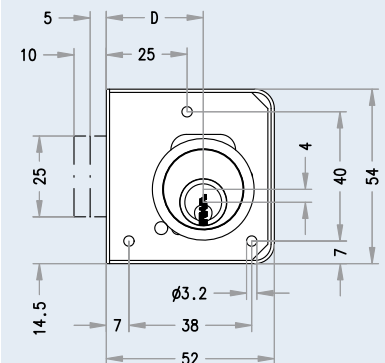
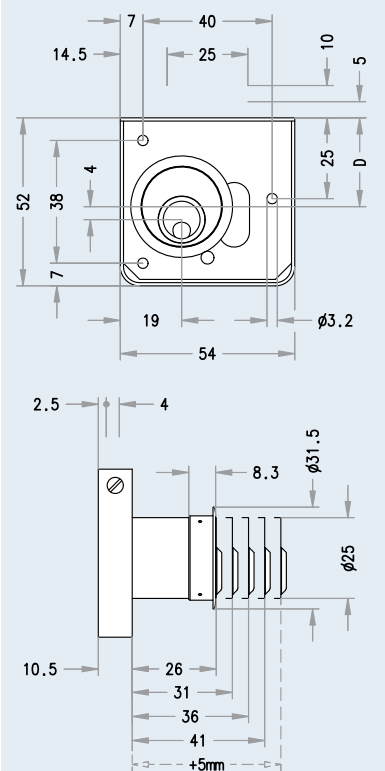


Diagram for left-hand doors

MRL



Universal 4540 Espagnolette Lock For Furniture



Ordering information
Universal 4540 with MRT/MRL 25

- **Applications and usage**
Espagnolette lock for furniture such as

 - ▶ Tall furniture doors and
 - ▶ Tall cupboard doors

which require more than just locking due to their structure
- **Functional characteristics**

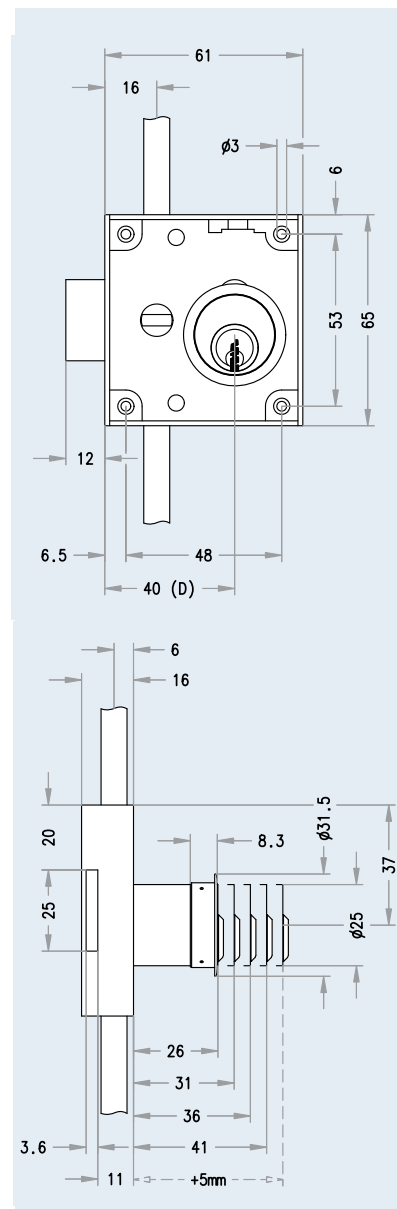
 - ▶ Backset: 40 mm
 - ▶ Designed for full-length, 8 mm espagnolette
 - ▶ Single rotation
- **Security features**

 - ▶ Solid lock case design
 - ▶ Single rotation, 12 mm bolt stroke
- **Technical data**

 - ▶ Compact installation dimensions: 61 x 65 mm
 - ▶ Fixed with four screws
 - ▶ Lock case and bolt made of nickel-plated iron
 - ▶ Designed for 8 mm rotary bars
 - ▶ Flattened to 7 mm
- **Scope of supply**

 - ▶ Universal 4540 lock case
 - ▶ Accessories:
 - ▶ 2 hook bolts
 - ▶ 1 angled strike plate
 - ▶ 2 joint bolts
 - ▶ Rod guide
- **Installation & operation**

 - ▶ Universal clamp fastening attached onto the lock case with side screws
 - ▶ Easily retrofitted to lock case, even if lock cases have already been installed



Universal 4525 Espagnolette Lock For Furniture



Ordering information

Universal 4525 (left/right specification necessary)

Applications and usage

Espagnolette lock for furniture such as

- ▶ Lightweight furniture doors and
- ▶ Lightweight cupboard doors which require more than just locking due to their structure and which have already been predrilled for a 25 mm backset. Otherwise we recommend the Universal 4540 espagnolette lock!

Functional characteristics

- ▶ Backset: 25 mm
- ▶ Designed for full-length, 7 mm espagnolette lock
- ▶ Single rotation locking function

Security features

- ▶ Lightweight lock case design
- ▶ Single rotation, 9 mm bolt stroke

Technical data

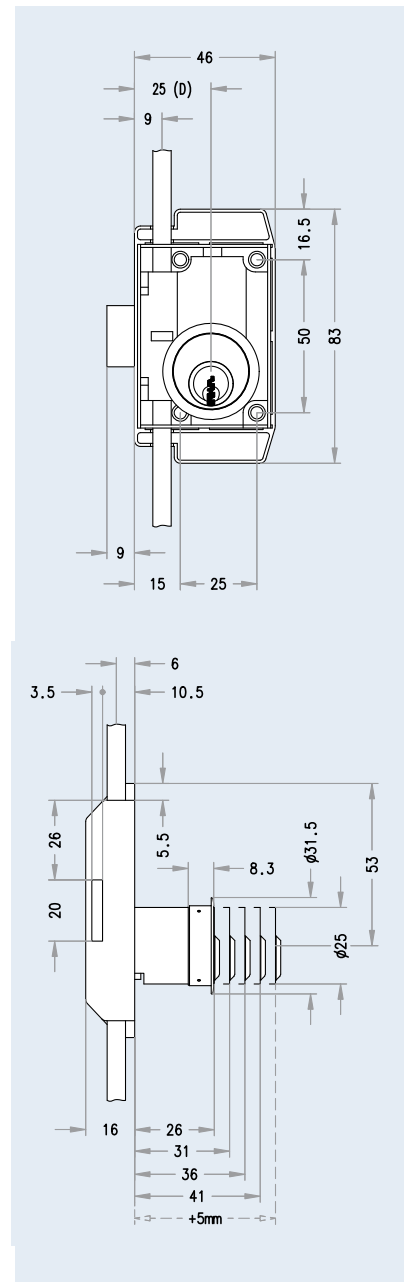
- ▶ Compact installation dimensions: 46 x 83 mm
- ▶ Fixed with four screws
- ▶ Lock case and bolt made of nickel-plated iron
- ▶ Designed for full-length, 7 mm rotary bar flattened to 6 mm

Scope of supply

- ▶ Universal 4525 lock case
- ▶ Accessories:
 - ▶ 2 hook bolts
 - ▶ 1 angled strike plate
 - ▶ 2 joint bolts
 - ▶ Rod guide

Installation & operation

- ▶ Universal clamp fastening attached onto the lock case with a side screw



This is a discontinued product available only as long as stocks last!

MAR Cabinet Bolt Lock



Ordering information

MAR left/right and for shutter [backset]

Applications and usage

Cabinet bolt lock for simple locking of:

- ▶ Shutters
- ▶ Cabinet doors
- ▶ Cupboards

Functional characteristics

- ▶ Single rotation
- ▶ Designs: right/left and for shutters
- ▶ 10 mm bolt stroke

Security features

- ▶ Solid lock case design
- ▶ Single rotation, 10 mm bolt stroke

Technical data

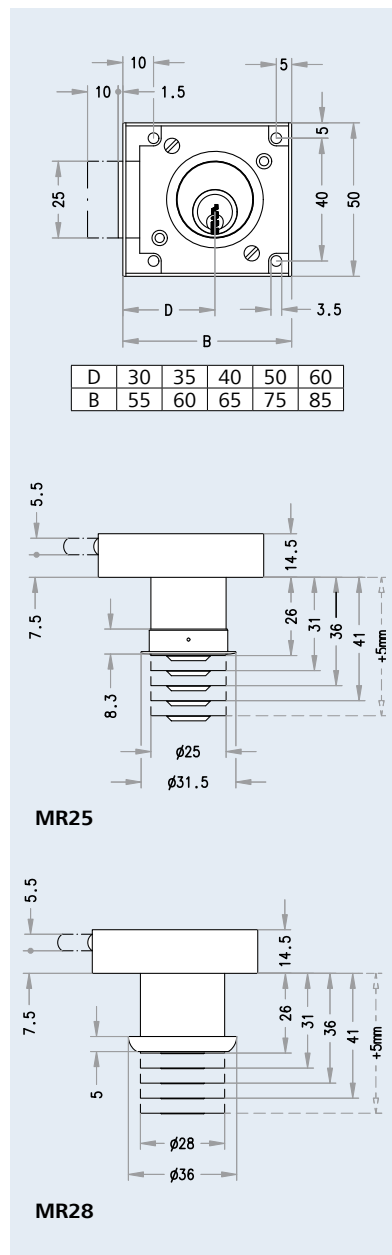
- ▶ Lock case of bronzed iron

Scope of supply

- ▶ Lock case without accessories, without fastening material

Installation & operation

- ▶ Easy installation with four screws



MER Cabinet Bolt Lock



Ordering information

- ▶ MER left/right and for shutter [backset]

Applications and usage

Cabinet bolt lock for simple locking of:

- ▶ Shutters
- ▶ Cabinet doors
- ▶ Cupboards

Functional characteristics

- ▶ For flush-mount in cabinet doors/shutters
- ▶ Single rotation
- ▶ Designs: right/left and for shutters
- ▶ 11 mm bolt stroke

Security features

- ▶ Solid lock case design
- ▶ Single rotation, 11 mm bolt stroke

Technical data

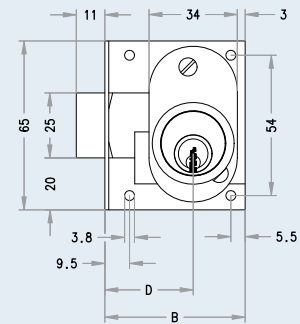
- ▶ Lock case of bronzed iron

Scope of supply

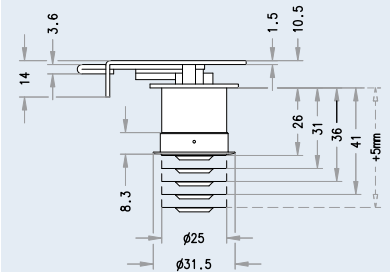
- ▶ Lock case without accessories, without fastening material

Installation & operation

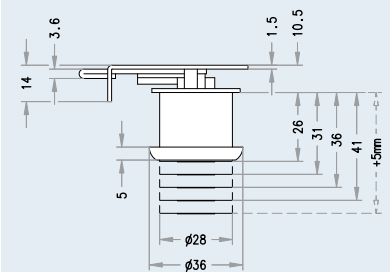
- ▶ For installation into pre-milled lock recess



D	29	54	59	49	59
B	49	54	58	69	79

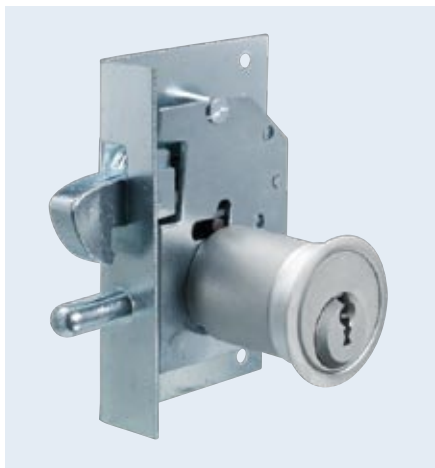


MR25



MR28

ERK Roll-Up Cabinet Lock



Ordering information
ERK left/right and for shutters

- Applications and usage**

 - ▶ Roll-up drawers
 - ▶ Roll-up cabinets

- Scope of supply**

 - ▶ Lock case with strike plate, without accessories, without fastening material

- Functional characteristics**

 - ▶ For flush-mount in roll-up doors
 - ▶ With snap latch

- Security features**

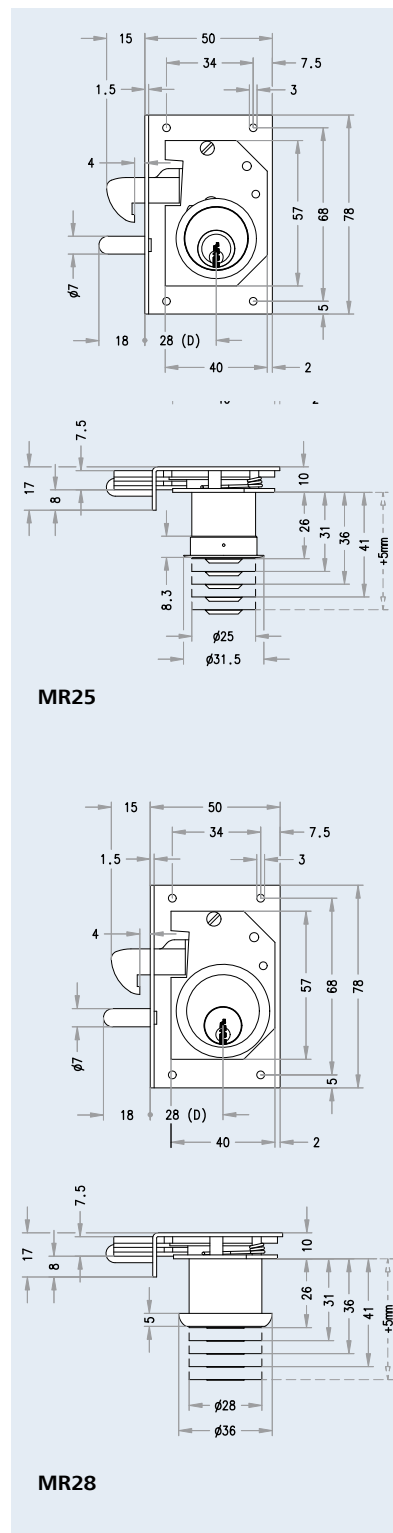
 - ▶ Solid lock case design
 - ▶ 7 mm guide bolts

- Technical data**

 - ▶ Lock case of galvanized iron

- Installation & operation**

 - ▶ For installation into pre-milled lock recess for wood thicknesses up to 32 mm



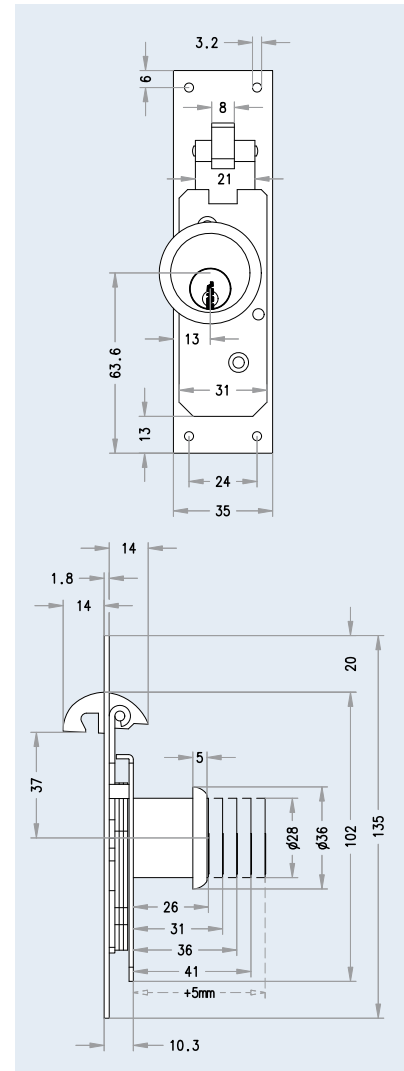
SES Sliding Door Lock For Cabinet



Ordering information

- ▶ SES

- Applications and usage**
 - ▶ For simple locking of sliding doors
- Scope of supply**
 - ▶ Lock case without strike plate, without accessories, without fastening material
- Functional characteristics**
 - ▶ For flush-mount in sliding doors
- Security features**
 - ▶ Lightweight lock case design
 - ▶ Sturdy hook latch
- Technical data**
 - ▶ Lock case of galvanized iron
- Installation & operation**
 - ▶ For installation into pre-milled lock recess
 - ▶ For wood thicknesses up to 32 mm



MRH22 Bolt Lock



Ordering information

MRH22 [S] [cylinder length], [finish],
[mounting plate: rectangular (E), round (R)]

Applications and usage

- ▶ Wooden furniture doors and drawers

Functional characteristics

- ▶ Locking by bolt
- ▶ Bolt rotation: 100 degrees
- ▶ Key can be removed in closed position
- ▶ Cylinder fixed by rear mounting plate
- ▶ Standard cam: 31.5 mm

Technical data

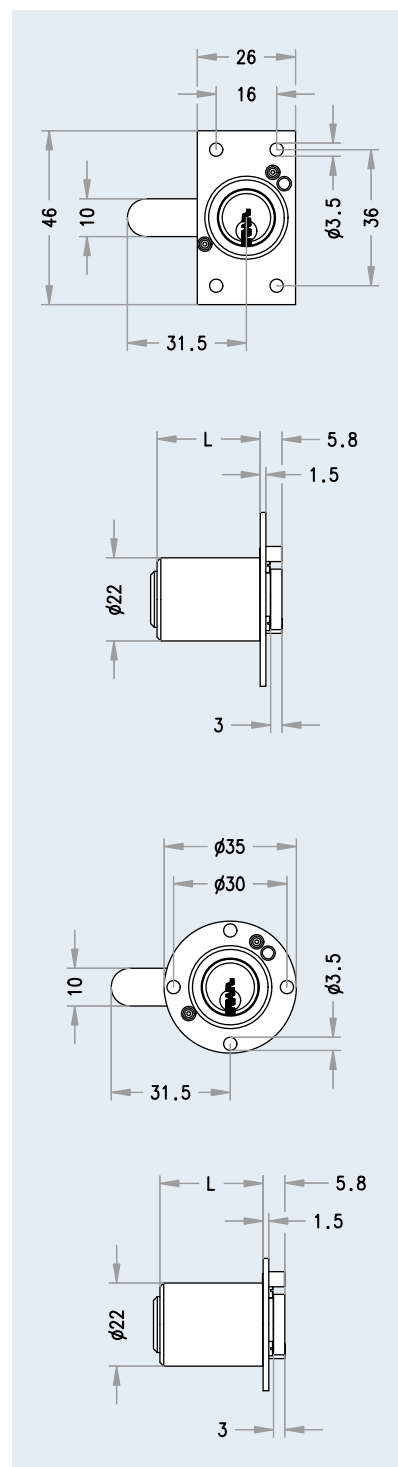
- ▶ Cylinder front face \varnothing 22 mm without rose
- ▶ Base material: brass
- ▶ Brass cam and steel mounting plate, blue galvanized

Scope of supply

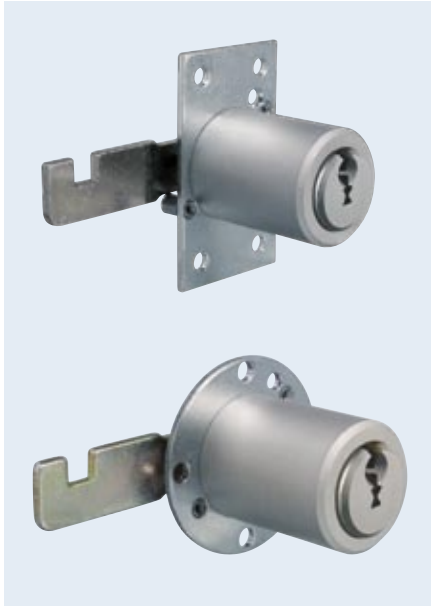
- ▶ Bolt lock with 31.5 mm standard cam, mounting plate, without rose

Installation & operation

- ▶ For material thicknesses between 25 mm and 65 mm
- ▶ Fixed at rear by rectangular mounting plate (standard) or
- ▶ On request, with a round mounting plate
- ▶ Cylinder can be used right/left
- ▶ Design S: key can be removed in 2 positions



SRZ22 Bolt Lock



Ordering information

SRZ22 [cylinder length], [finish], [mounting plate: rectangular (E), round (R)]

Applications and usage

- ▶ For sliding doors in wooden or metal furniture

Functional characteristics

- ▶ Locking by cam (pivot bolt)
- ▶ Bolt rotation: 90 degrees
- ▶ Locking rotation: 360 degrees
- ▶ Key can be removed in open and closed position
- ▶ Cylinder fixed by rear mounting plate
- ▶ Standard cam 40 mm

Scope of supply

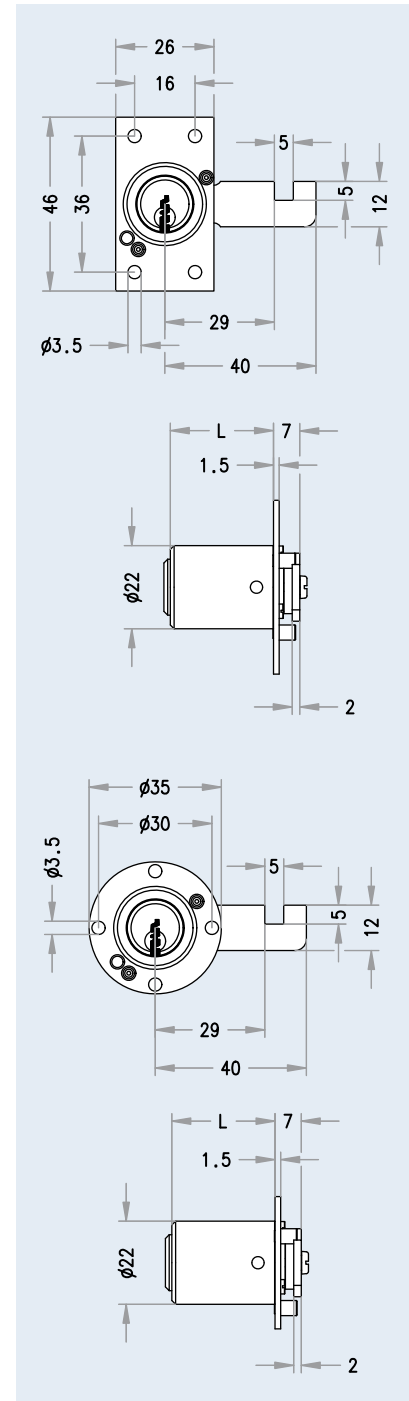
- ▶ Bolt lock with 40 mm standard cam, mounting plate, without rose

Installation & operation

- ▶ For material thicknesses between 25 mm and 65 mm
- ▶ Fixed at rear by rectangular mounting plate (standard) or
- ▶ On request, with a round mounting plate
- ▶ Cylinder can be used right/left

Technical data

- ▶ Cylinder front face \varnothing 22 mm without rose
- ▶ Base material: brass
- ▶ Steel cam and mounting plate, blue galvanized



DPM80 Coin-Operated Lock



Ordering information

coin-operated lock [left/right] for [coins € 1/ € 2/tokens]

Functional characteristics

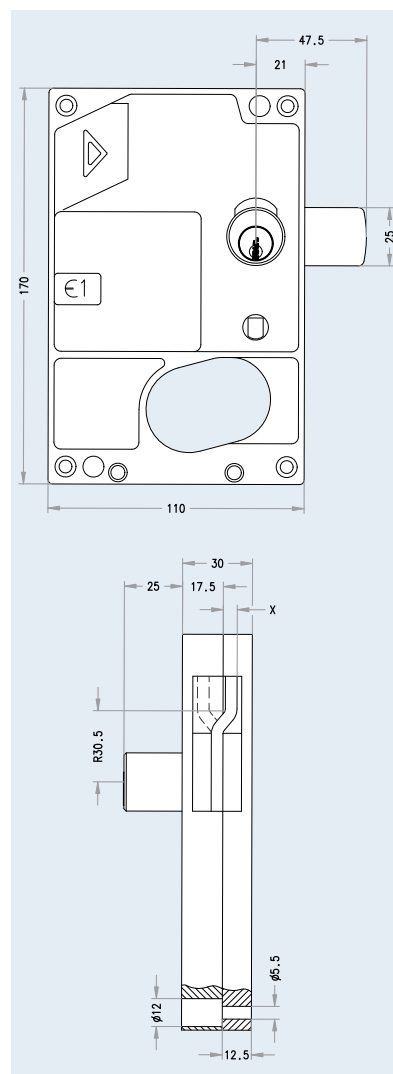
- ▶ Key can be removed after coin is inserted and the container is locked
- ▶ Coin is returned automatically when the container is unlocked with the key
- ▶ Coin can be taken from the inside

Security features

- ▶ Side coin slot protects against attack in closed condition
- ▶ Coin deflection inside the lock for verification

Technical data

- ▶ Material: weatherproof plastic
- ▶ Bolt of galvanised iron
- ▶ Coin return recess integrated into lock



AZ Rim Cylinder



Ordering information

AZ [finish]

Applications and usage

- ▶ Designed for EVVA series K900 and K9000 security rim locks

Functional characteristics

- ▶ Locking rotation: 360 degrees
- ▶ Tail bar can be shortened at 5 mm spaced nicks

Security features

- ▶ Hard metal drilling protection in plug and body
- ▶ Steel balls provide drilling protection for the cylinder fixing screws
- ▶ Vertical key insertion for optimal scanning of locking elements

Technical data

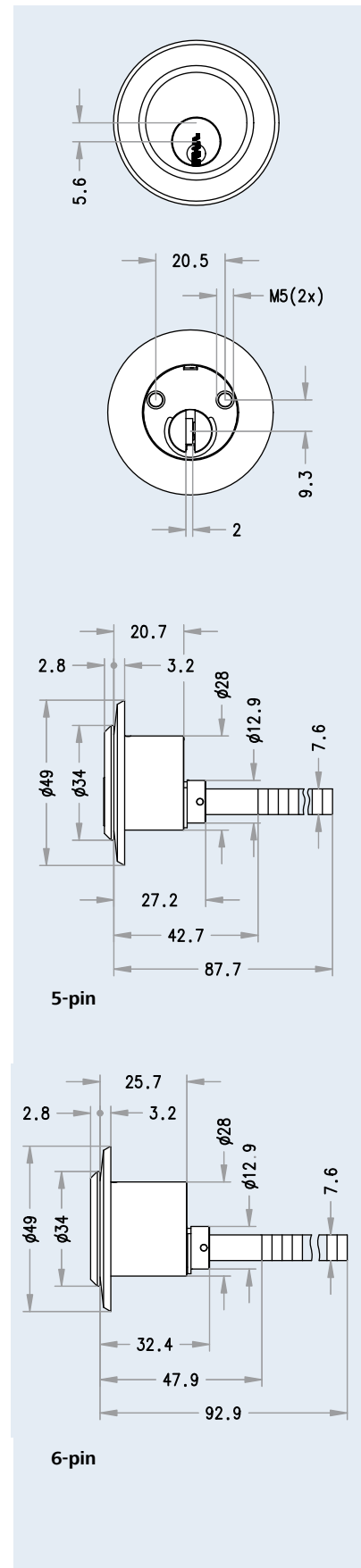
- ▶ Cylinder body base material: brass
- ▶ Cylinder plug base material: brass
- ▶ All scanning elements coated with Triflon
- ▶ Tail bar for door thicknesses up to 50 mm
- ▶ Cylinder \varnothing 34 mm
- ▶ Rose \varnothing 50 mm

Scope of supply

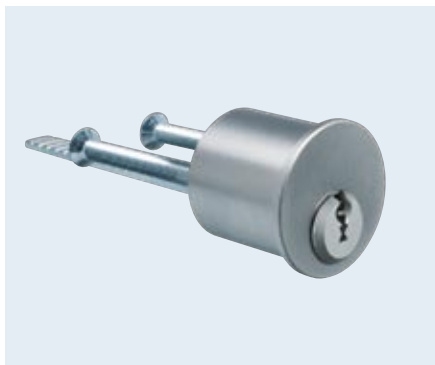
- ▶ Round cylinder with rose and
- ▶ Two M5 x 40 fixing screws

Installation & operation

- ▶ Easy cylinder installation in prepared round hole
- ▶ Cylinder fixed through two M5 fastening holes
- ▶ Cylinder screws with pointed tips to make installation easier



AZG Rim Cylinder



Ordering information

AZG [finish]

Applications and usage

For third-party products such as rim locks, ...

Scope of supply

- ▶ Round cylinder with two M5 x 40 fixing screws

Functional characteristics

- ▶ Locking rotation: 360 degrees
- ▶ Tail bar can be shortened at 5 mm spaced nicks

Security features

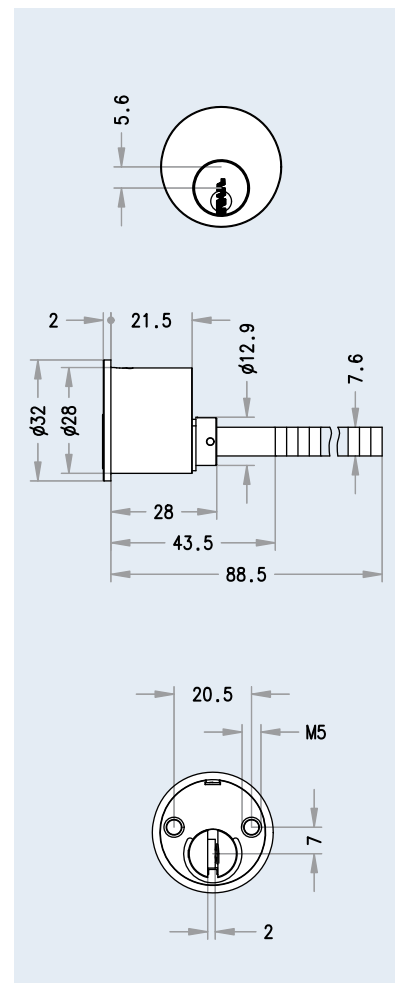
- ▶ Hard metal drilling protection in plug and body
- ▶ Steel balls provide drilling protection for the cylinder fixing screws
- ▶ Vertical key insertion for optimal scanning of locking elements

Technical data

- ▶ Cylinder body base material: brass
- ▶ Cylinder plug base material: brass
- ▶ All scanning elements coated with Triflon
- ▶ Tail bar for door thicknesses up to 50 mm
- ▶ Cylinder \varnothing 34 mm
- ▶ Rose \varnothing 50 mm

Installation & operation

- ▶ Easy cylinder installation in prepared round hole
- ▶ Cylinder fixed through two M5 fastening holes
- ▶ Cylinder screws with pointed tips to make installation easier



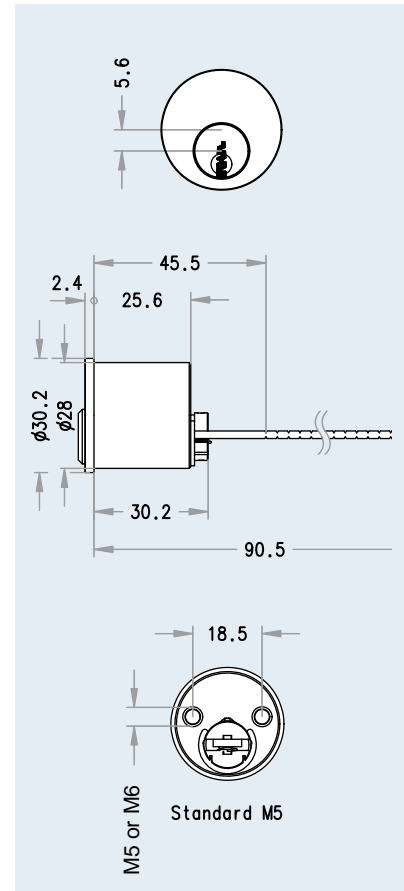
AZI Rim Cylinder



Ordering information

AZ [finish]

- Applications and usage**
 - ▶ For rim locks of various manufacturers
- Scope of supply**
 - ▶ Round cylinder with rose and
 - ▶ Two M5 x 40 fixing screws
- Functional characteristics**
 - ▶ Locking rotation: 360 degrees
 - ▶ Tail bar can be shortened at 5 mm spaced nicks
- Security features**
 - ▶ Hard metal drilling protection in plug and body
 - ▶ Steel balls provide drilling protection for the cylinder fixing screws
 - ▶ Vertical key insertion for optimal scanning of locking elements
- Technical data**
 - ▶ Cylinder body base material: brass
 - ▶ Cylinder plug base material: brass
 - ▶ All scanning elements coated with Triflon
 - ▶ Tail bar for door thicknesses up to 50 mm
 - ▶ Cylinder \varnothing 34 mm
 - ▶ Rose \varnothing 50 mm
- Installation & operation**
 - ▶ Easy cylinder installation in prepared round hole
 - ▶ Cylinder fixed through two M5 or M6 fastening holes
 - ▶ Cylinder screws with pointed tips to make installation easier



AZ4050 Rim Cylinder



Ordering information

AZ [finish]

Applications and usage

- ▶ Designed for rim locks .131, .132, .133, .136

Scope of supply

- ▶ Round cylinder with rose and two M5 x 40 fixing screws

Functional characteristics

- ▶ Locking rotation: 360 degrees
- ▶ Tail bar can be shortened at 5 mm spaced nicks

Security features

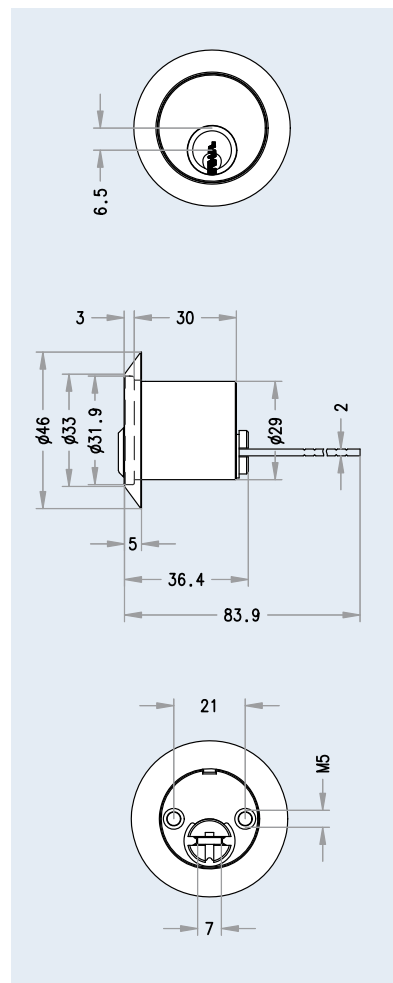
- ▶ Hard metal drilling protection in plug and body
- ▶ Steel balls provide drilling protection for the cylinder fixing screws
- ▶ Vertical key insertion for optimal scanning of locking elements

Technical data

- ▶ Cylinder body base material: brass
- ▶ Cylinder plug base material: brass
- ▶ All scanning elements coated with Triflon
- ▶ Tail bar for door thicknesses up to 50 mm
- ▶ Cylinder \varnothing 34 mm
- ▶ Rose \varnothing 50 mm

Installation & operation

- ▶ Easy cylinder installation in prepared round hole
- ▶ Cylinder fixed through two M5 fastening holes
- ▶ Cylinder screws with pointed tips to make installation easier



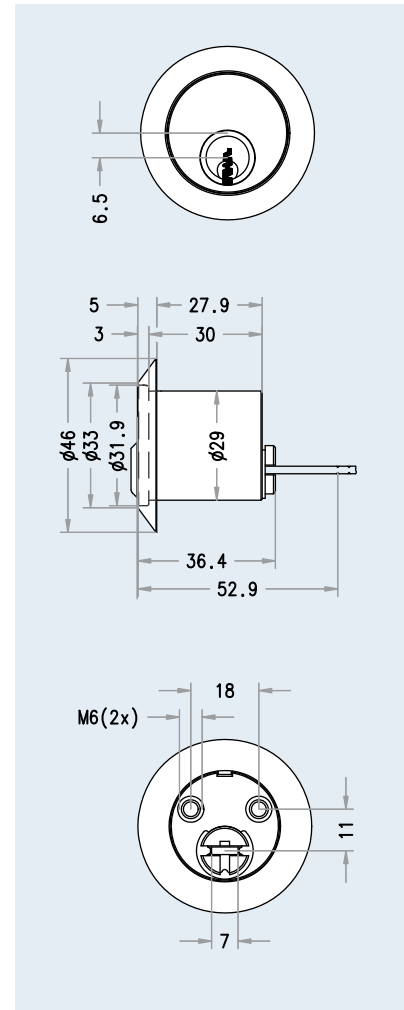
AZ 4063 Rim Cylinder



Ordering information

AZ [finish]

- Applications and usage**
 - ▶ Designed for rim locks .133, .136
- Scope of supply**
 - ▶ Round cylinder with rose and two M5 x 40 fixing screws
- Functional characteristics**
 - ▶ Locking rotation: 360 degrees
 - ▶ Tail bar can be shortened at 5 mm spaced nicks
- Security features**
 - ▶ Hard metal drilling protection in plug and body
 - ▶ Steel balls provide drilling protection for the cylinder fixing screws
 - ▶ Vertical key insertion for optimal scanning of locking elements
- Technical data**
 - ▶ Cylinder body base material: brass
 - ▶ Cylinder plug base material: brass
 - ▶ All scanning elements coated with Triflon
 - ▶ Tail bar for door thicknesses up to 50 mm
 - ▶ Cylinder \varnothing 34 mm
 - ▶ Rose \varnothing 50 mm
- Installation & operation**
 - ▶ Easy cylinder installation in prepared round hole
 - ▶ Cylinder fixed through two M5 fastening holes
 - ▶ Cylinder screws with pointed tips to make installation easier



PDZ Portal Double Cylinder



Ordering information

PDZ cylinder length A/B, [finish], [security and usage options]

Applications and usage

- ▶ Portals with direct bolting
- ▶ Garden doors without mortise lock but with direct bolting

Functional characteristics

- ▶ Lockable on both sides with key
- ▶ Locking bolt \varnothing 15 mm
- ▶ Bolt protrusion: 21.5 mm
- ▶ 15 mm stroke

Technical data

- ▶ Cylinder body base material: brass
- ▶ Cylinder plug base material: brass
- ▶ All scanning elements coated with Triflon
- ▶ Integrated locking bolt with
- ▶ 15 mm stroke

Scope of supply

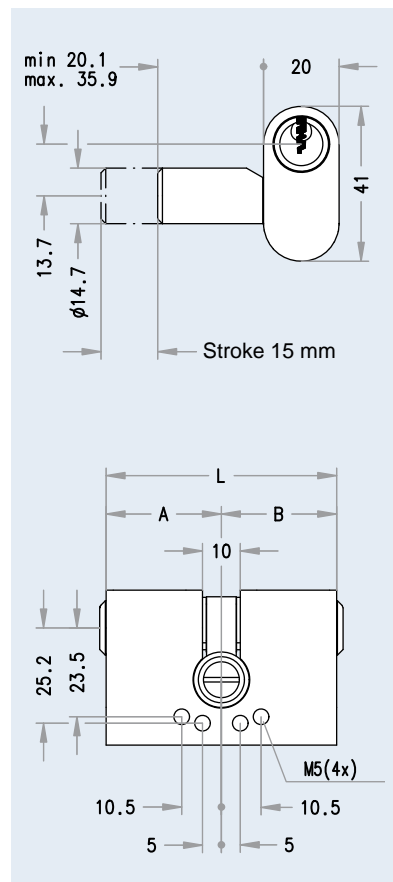
- ▶ Locking cylinder without fixing screw, with locking bolt

Installation & operation

- ▶ Cylinder installation in a prepared, empty cylinder hole; designed for portal cylinder
- ▶ 3 possible M5 fastening variations

Security features

- ▶ Hard metal drilling protection in plug and body
- ▶ Vertical key insertion for optimal scanning of locking elements



PHZ Portal Half Cylinder



Ordering information

PHZ cylinder length A, [finish], [security and usage options]

Applications and usage

- ▶ Portals with direct bolting
- ▶ Garden doors without mortise lock but with direct bolting
- ▶ Show window shields

Functional characteristics

- ▶ Lockable with key on one side
- ▶ Locking bolt \varnothing 15 mm
- ▶ Bolt protrusion: 21.5 mm
- ▶ 15 mm stroke

Security features

- ▶ Hard metal drilling protection in plug and body
- ▶ Vertical key insertion for optimal scanning of locking elements

Scope of supply

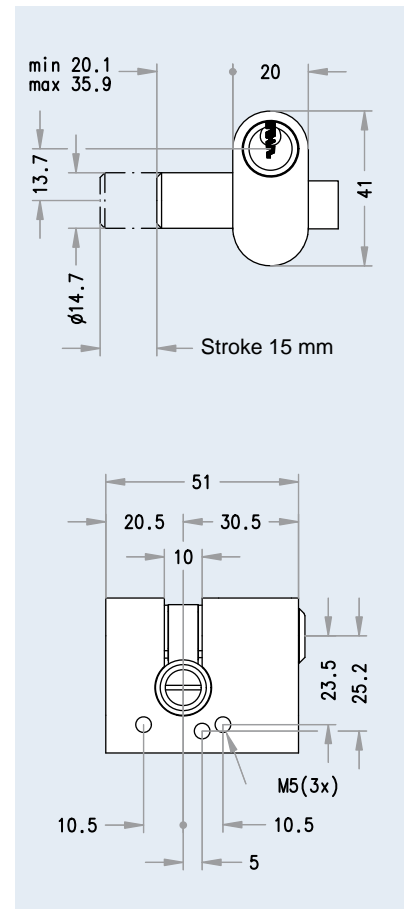
- ▶ Locking cylinder without fixing screw, with locking bolt

Technical data

- ▶ Cylinder body base material: brass
- ▶ Cylinder plug base material: brass
- ▶ All scanning elements coated with Triflon
- ▶ Integrated locking bolt with
- ▶ 15 mm stroke

Installation & operation

- ▶ Cylinder installation in a prepared, empty cylinder hole for portal cylinder
- ▶ 3 possible M5 fastening variations



EMZY MZT35i Electronic Motorised Cylinder



Ordering information

- ▶ KZ cylinder length A/B, MZT35i (A=outer side; B=inner side (thumbturn side)) [security and usage options], [finish]

Accessories

- ▶ "MCU MI"- micro controller for flush-mounted installation, without power adapter
- ▶ "MCU NT"- power adapter for standard supply for the "MCU MI"-micro controller
- ▶ EVKA cylinder connection cable, 10 m
- ▶ ERK1 door contact, incl. 1.5 m connection cable (white or brown)
- ▶ ERK4 door contact for metal doors with installation tray, incl. 1.5 m connection cable
- ▶ EKAO open cable transition, length 30 cm; incl. two end pieces (white, brown or chrome)
- ▶ ERKO bolt contact, incl. 2 m connection cable with switch-over contact
- ▶ ABDMK 35 thumbturn cover

Applications and usage

- ▶ For mortise locks in accordance with DIN or ÖNORM
- ▶ For mortise locks in accordance with European technical standards
- ▶ Small backset for the motorised thumbturn on the thumbturn side, particularly suited for metal frame doors
- ▶ And for mortise locks with profile cylinder hole
- ▶ Minimal 35 mm backset for standard door installation in accordance with DIN 18101
- ▶ Motorised thumbturn with integrated button for simple operation
- ▶ Mechanical emergency release from the locking side
- ▶ Electronic control via external input units (such as code keypad, wall reader, ...)

Scope of supply

- ▶ Electronic motorised cylinder
- ▶ Three 1.5 mm spacer discs
- ▶ Fixing screw

Functional characteristics

- ▶ Electronically operated, cabled, motorised cylinder
- ▶ To lock/unlock locks
- ▶ Simple night-and-day mode switch
- ▶ Interactive learn mode for lock function (single and double turn locks)

Security features

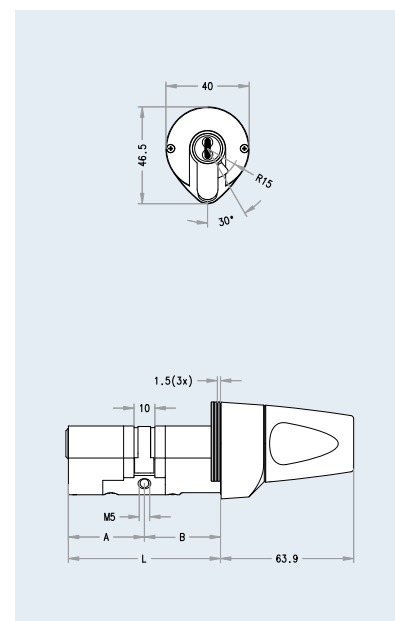
- ▶ Shape-matched spacer discs allow seamless transition from the thumbturn to the escutcheon

Technical data

- ▶ Cylinder body base material: brass
- ▶ Cylinder plug base material: brass
- ▶ All scanning elements coated with Triflon
- ▶ Cam home position: 30 degrees
- ▶ Cam width: 9.3 mm
- ▶ Modular cylinder design
- ▶ Motorised thumbturn torque about 1 Nm

Installation & operation

- ▶ Easy cylinder installation in a prepared, empty cylinder hole
- ▶ Cylinder projecting length may not exceed 3 mm for security-relevant doors
- ▶ Cylinder fixed through a M5 fastening hole



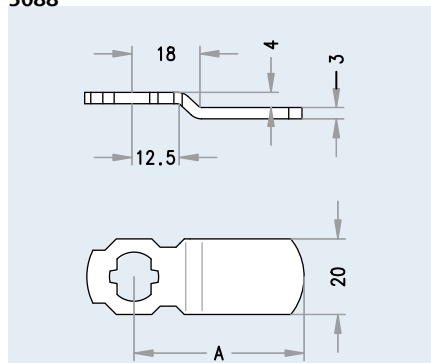
Cam types

Applications and usage

- ▶ For cam locks (plate installation cylinders) MB19, MB23, MB30, ZB27, ZB27K, MB20GT, MB23G, MB23GT, MB30MB, MB30

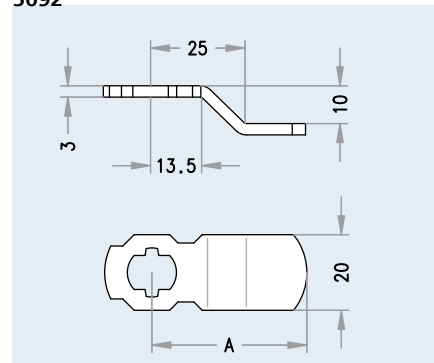
Attention: Cam types do not apply to MRH22 and SR222

5088



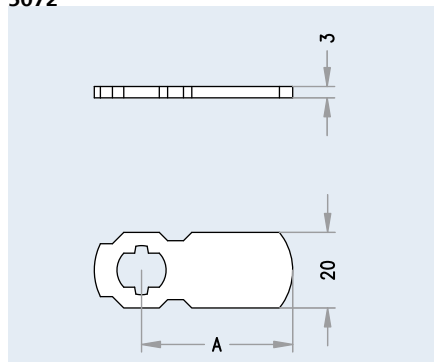
A	33,5	45	65
---	------	----	----

5092



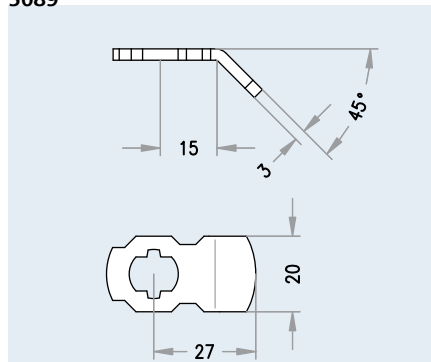
A	41	48,5	52,5
---	----	------	------

5072

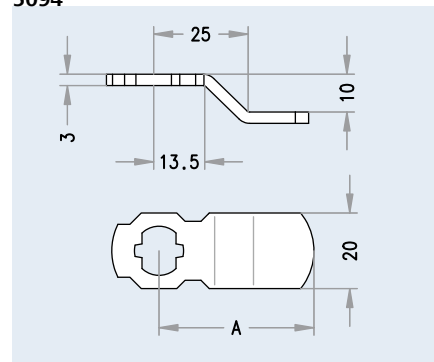


A	19	28	34	37	40	45	50
	55	60	65	70	75	80	

5089

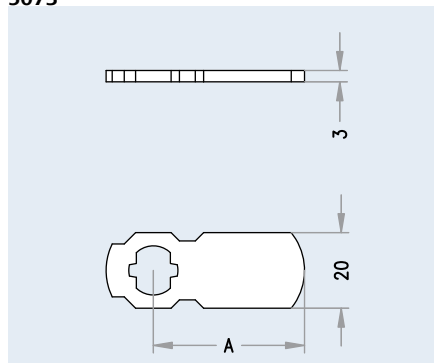


5094



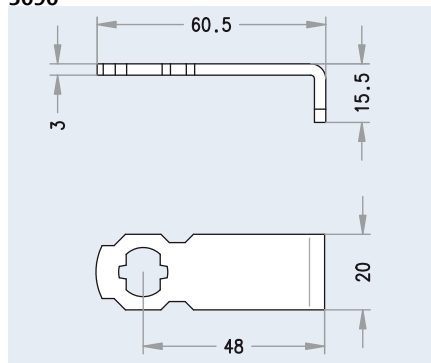
A	33,5	41	59
---	------	----	----

5073

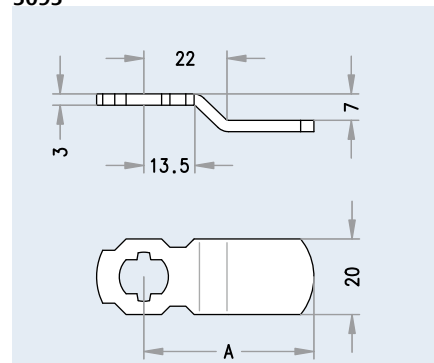


A	27	34	36	40	45	50
	55	60	65	70	75	80

5090

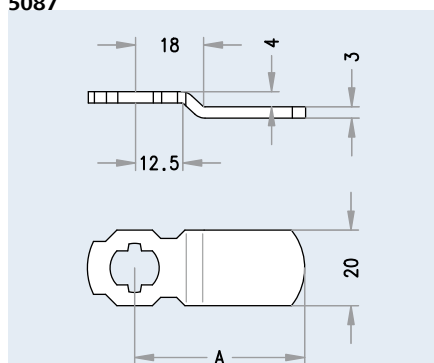


5095



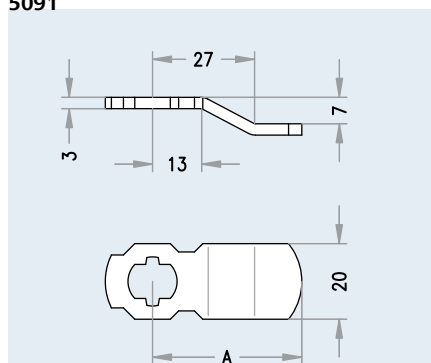
A	45	50
---	----	----

5087



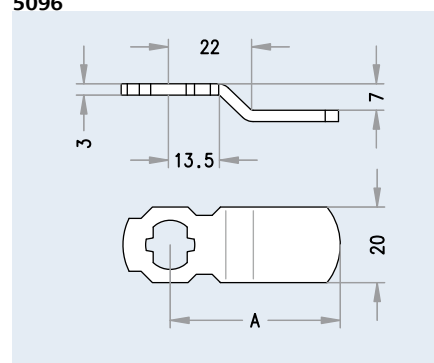
A	33,5	40	45	65
---	------	----	----	----

5091



A	39,5	59	65,5
---	------	----	------

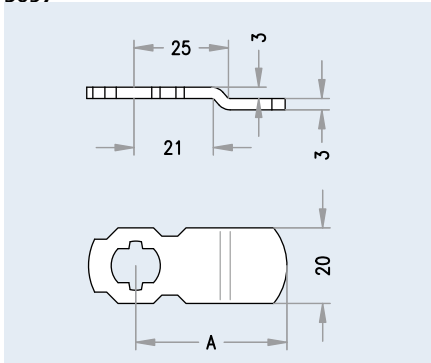
5096



A	33,5	45
---	------	----

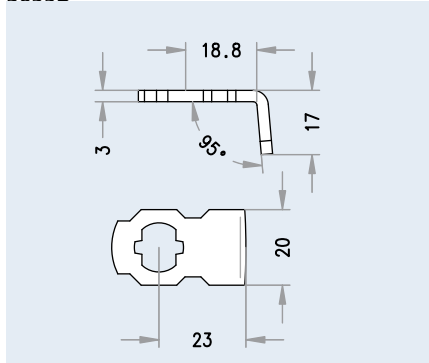
Cam types

5097

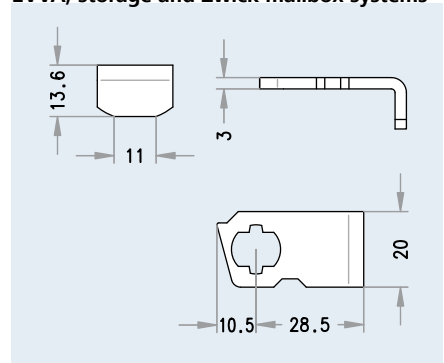


A	33,5	37	40	45	50	55	70
---	------	----	----	----	----	----	----

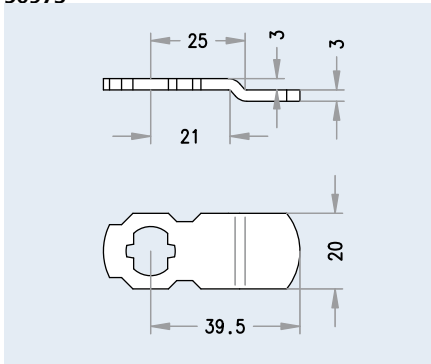
5099D



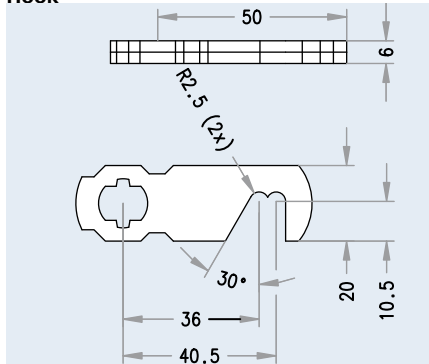
EVVA, storage and Zwick mailbox systems



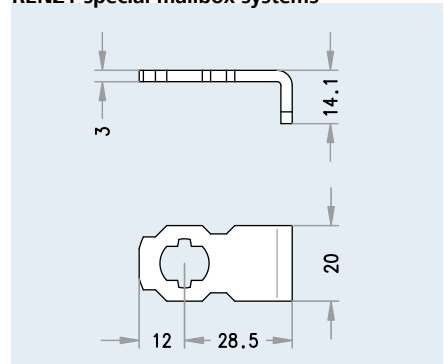
5097S



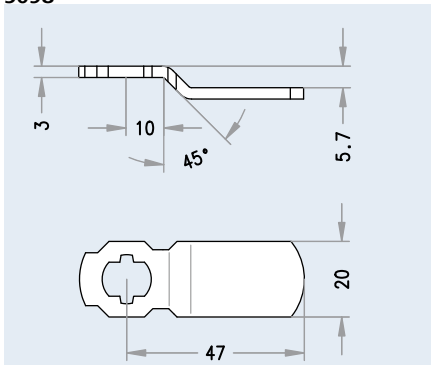
Hook



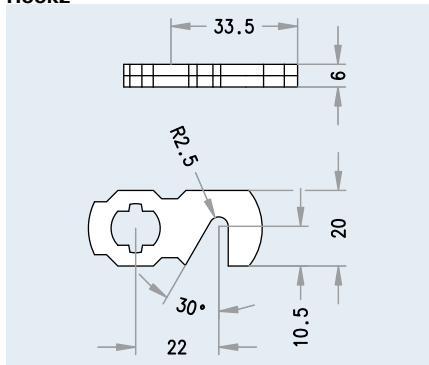
RENZ1 special mailbox systems



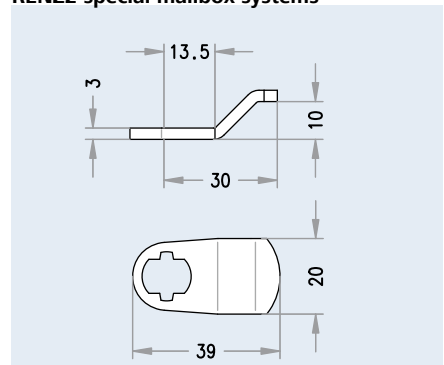
5098



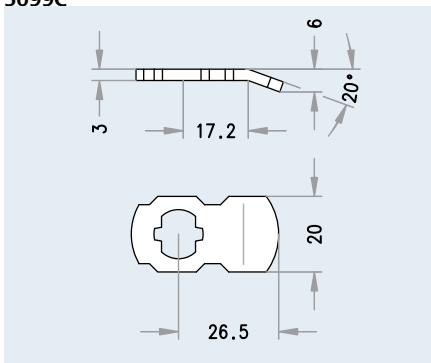
Hook2



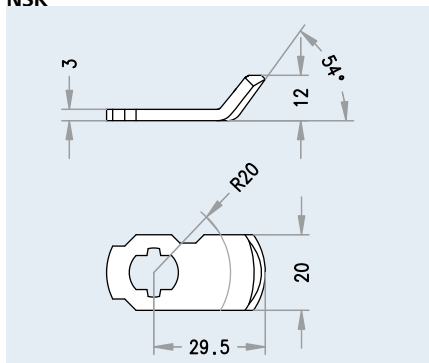
RENZ2 special mailbox systems



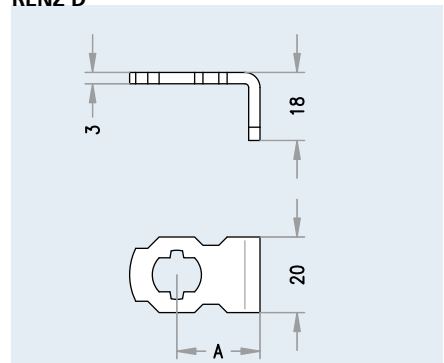
5099C



NSK



RENZ D



A	22	28
---	----	----

B1 Construction Key



Ordering information

- ▶ B1

Technical data

- ▶ The conical, square-shaped key tip ensures doors can be opened and closed easily.
- ▶ Cam for profile cylinder hole
- ▶ 7 to 10 mm square-shaped pin
- ▶ Cylinder measuring unit

Material used

- ▶ Composite

B2 Construction Key



Ordering information

- ▶ B2

Technical data

- ▶ The conical, square-shaped key tip ensures doors can be opened and closed easily.
- ▶ Square-shaped pin lock key, 6, 7 and 8 mm
- ▶ Cam for profile cylinder hole
- ▶ Square-shaped pin, 6 to 10 mm
- ▶ Hexagonal key, 3 mm

Material used

- ▶ Composite

B3 Construction Key With Cylinder Measuring Unit



Ordering information

- ▶ B3

Applications and usage

- ▶ The conical, square-shaped key tip ensures doors can be opened and closed easily.
- ▶ 6, 7 and 8 mm square-shaped pin lock key
- ▶ Cam for profile cylinder hole
- ▶ Square-shaped pin between 7 and 10 mm
- ▶ Hexagonal key, 3 mm
- ▶ Cylinder measuring unit

Material used

- ▶ Die-cast, nickel plated

B4 Multi-Tool Construction Key



Ordering information

- ▶ B4

Applications and usage

- ▶ External square socket key, AF width 7 + 8 mm
- ▶ External triangular socket key, 8 mm
- ▶ Pozidrive screw bit no. 2
- ▶ Countersunk screw bit size 3
- ▶ Radiator bleed key, AF width 5 mm
- ▶ Measurement scale up to 40 mm
- ▶ Round cylinder carrier, nominal \varnothing 22 mm
- ▶ Bottle opener on carrier
- ▶ Square drive, AF width 7 / 8 / 9 / 10 mm
- ▶ Hexagonal square drive, AF width 3 mm

Material used

- ▶ Die-cast, satin nickel plated

Multi-Spray



■ Applications and usage

- ▶ Indispensable for house and garden, at the workplace, for vehicles, sport and leisure equipment, industry and agriculture, all kinds of machines, locks as well as all electrical devices.

■ Security features

- ▶ Free of silicone, hence it does not gum susceptible materials

■ Functional characteristics

- ▶ Eliminates squeaking and creaking
- ▶ Helps to jump start damp motors
- ▶ Loosens jammed components
- ▶ Protects against corrosion
- ▶ Cleans tough dirt and stains

■ Designs

- ▶ Multi-Spray 200 ml
- ▶ Multi-Spray 400 ml

Resistorx Screws



■ Applications and usage

- ▶ Tamper-proof cylinder fixing screw

■ Security features

- ▶ Optimum protection against tampering with special Resistorx
- ▶ Countersunk head with TX35

■ Designs

- ▶ Nirosta, stainless steel

Ordering information

- ▶ Resistorx



**Croma Locksmiths &
Security Solutions Ltd**

Unit 7 & 8 Fulcrum 4
Solent Way
Whiteley
Hampshire
PO15 7FT

Contact Croma Locksmiths:

T: 01489 566 102
E: Orders.locks@cssgplc.com

Contact Croma Fire & Security:

T: 01489 566 101
E: sales@cssgplc.com

www.cromalocksmiths.co.uk